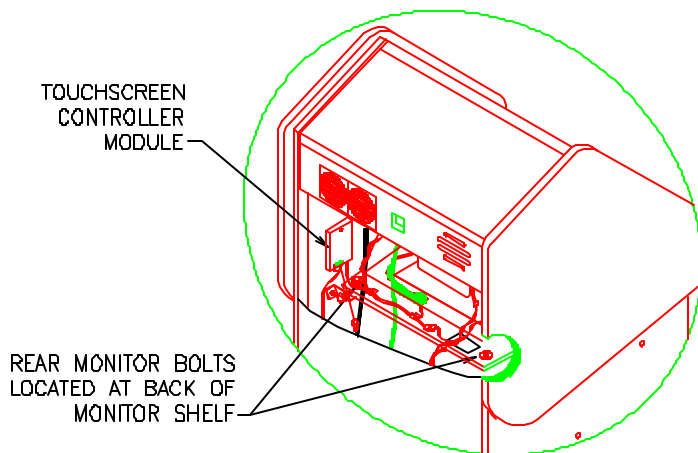


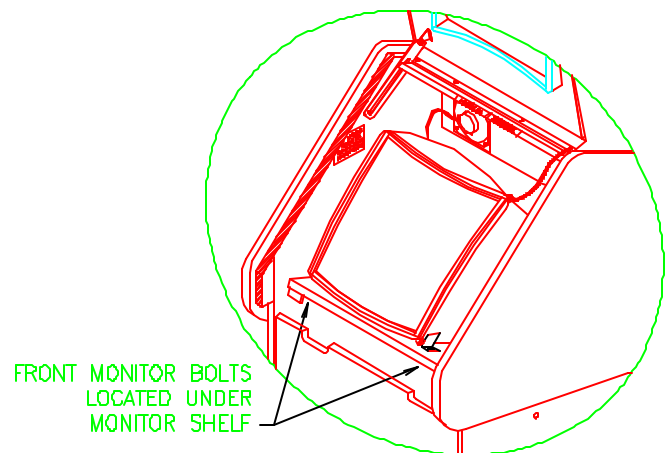
## Removal/Access of Monitor - Uprights/Cabarets

### Monitor Removal

1. Power down the game and unplug the line cord from the power source.
2. Open the rear door to gain access to the monitor section.
3. Disconnect the touchscreen cable and all harnesses. (The touchscreen cable will be attached to the TTL board (located on the CPU board) or the SMT module, depending on which controller is used on your game. If your game uses an SMT controller you will have to remove the screws securing it to the cabinet in order to disconnect the touchscreen cable.)
4. Remove both bolts securing the rear of the monitor shelf to the cabinet. See Figure 1.
5. Open the monitor bezel door.
6. Remove both bolts securing the front of the monitor shelf to the cabinet (located on the underside of the shelf). See Figure 2.
7. Remove the ground strap attached to the monitor door.
8. Pull the monitor up and out through the monitor bezel door.



**FIGURE 1 - UR/CAB - MONITOR REMOVAL**



**FIGURE 2 - UR/CAB - MONITOR REMOVAL**