



Megatouch FORCE Touchscreen Replacement

Visit the Merit Industries, Inc. Web site
<http://www.meritind.com>



merit industries, inc.

PM0331-04

Table of Contents

FORCE EVO, EVO Wallette & Elite Edge

Touchscreen Removal.....	p. 1
Touchscreen Installation.....	p. 1-2

FORCE Radion & Fun Zone Jr.

Touchscreen Removal.....	p. 2-4
Touchscreen Installation.....	p. 4

FORCE Classic

Touchscreen Removal.....	p. 4-5
Touchscreen Installation.....	p. 5-6

FORCE Elite

Touchscreen Removal.....	p. 7
Touchscreen Installation.....	p. 7-9

FORCE Vibe

Touchscreen Removal.....	p. 9-10
Touchscreen Installation.....	p. 10-11

FORCE Fusion & Fun Zone

Touchscreen Removal.....	p. 11
Touchscreen Installation.....	p. 11-13

FORCE Upright (Non-Fusion)

Touchscreen Removal.....	p. 14
Touchscreen Installation.....	p. 14-16

Megatouch Combo Jukebox

Touchscreen Removal.....	p. 16
Touchscreen Installation.....	p. 16-18

Megatouch FORCE Touchscreen Replacement

CONTENTS:

QTY	PART NUMBER	DESCRIPTION
1	HW8087	3/8"W X 3/16"T FOAM TAPE
1	HW8067-02	3/8"W X 1/8"T FOAM TAPE
1	HW8067	1/2"W X 1/32"T FOAM TAPE
1	HW8086	1/2"W X 1/16"T FOAM TAPE (SINGLE SIDED)
1	HW8078	1"W POLYESTER TAPE
1	HW8061-01	ALCOHOL WIPE

FORCE EVO/ EVO WALLETTE/ ELITE EDGE GAMES

Touchscreen Removal

1. Turn off and unplug the game.
2. Unlock and open the CPU section and place something under the front bezel to brace it when the strain relief cord is disconnected.
3. Remove the two screws securing the touchscreen controller to the game, then disconnect the cable from the back of the controller. Also disconnect the Molex connector (orange and gray wires) running from the touchscreen controller cable to the main power harness.
4. Remove the 6 screws fastening the LCD mounting bracket to the game (one screw also fastens the strain relief cord) and remove the bracket. See Figure 1.
5. Disconnect all connections to the LCD monitor until you're able to slide the monitor out of the game.
6. Note the orientation of the touchscreen cable before removing the screen. Then use dental floss to carefully cut

the foam tape holding the touchscreen to the monitor until you are able to completely remove the screen.

7. Remove any remaining adhesive residue with denatured alcohol, then clean the monitor glass with the supplied alcohol wipe.

Touchscreen Installation

8. Clean the reverse side of the replacement touchscreen with the supplied alcohol wipe.
9. Cut pieces of the supplied 1/2" double-sided foam tape long enough to cover each edge of the screen without overlapping. After the tape is in place on the screen, peel off the backing.
10. Replace the new touchscreen over the monitor in the same manner as the old screen, making sure the screen is properly and evenly aligned over the monitor glass. Then clean the front of the screen with the supplied alcohol wipe.
11. Slide the LCD monitor assembly back into the game and reconnect all cables to the monitor.
12. Replace the LCD mounting bracket in the game and fasten it with the 6 screws removed earlier. Also refas-

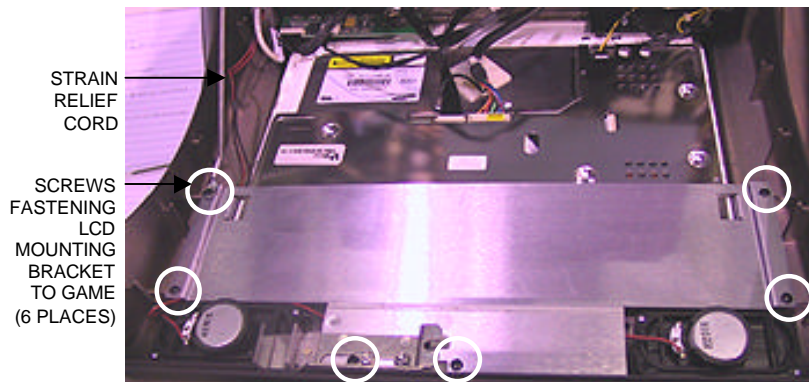


FIGURE 1 - FORCE EVO/EVO WALLETTTE - MONITOR REMOVAL

ten the strain relief cord.

13. Connect the new touchscreen controller cable in the back of the controller and secure the controller in the game with the existing hardware. Also connect the Molex connector (orange and gray wires) to the main power harness.
14. Close and lock the CPU section.
15. Plug in and turn on the game.
16. When the game is finished booting, calibrate the touchscreen.

FORCE RADION/ FUN ZONE JR. GAMES

Touchscreen Removal

1. Turn off and unplug the game.
2. Unlock and open both side doors and the rear door.
3. Remove the cash box.
4. Remove the screw securing the strain relief cord to the rear door, then remove the monitor board from the velcro on the rear door.
5. Remove the screws holding the rear

bezel to the game. Five screws are located along the top edge of the game and 2 are at the bottom rear of each side of the game. See Figure 2.

6. Lift the rear bezel from the game.
7. Remove the 4 screws holding the front bezel to the game. Two screws are located at the bottom on each side of the game (see Figure 2) and 2 are on the top surface (see Figure 3).
8. Lift the front bezel from the game.
9. Remove the two nuts and washers securing the touchscreen controller (see Figure 3) to the game and remove the controller from the mounting screws. Then disconnect the cable from the back of the controller and disconnect the Molex connector (orange and gray wires) running from the touchscreen controller cable to the main power harness.
10. Remove the black poly tape from around the edges of the old touchscreen. Remember how the tape was placed in order to tape the new touchscreen.
11. Use dental floss to carefully cut the foam tape holding the touchscreen to the picture tube until you are able to

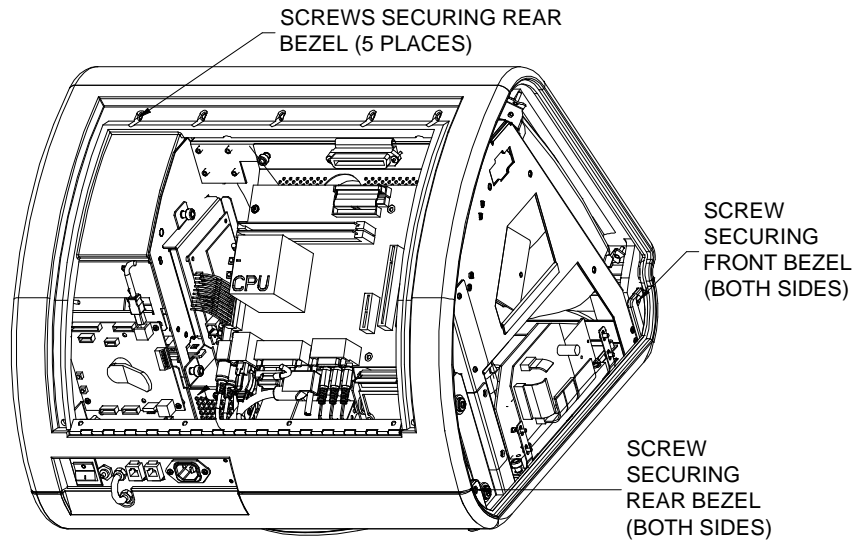


FIGURE 2 - FORCE RADION/FUN ZONE JR. - FRONT AND REAR BEZELS

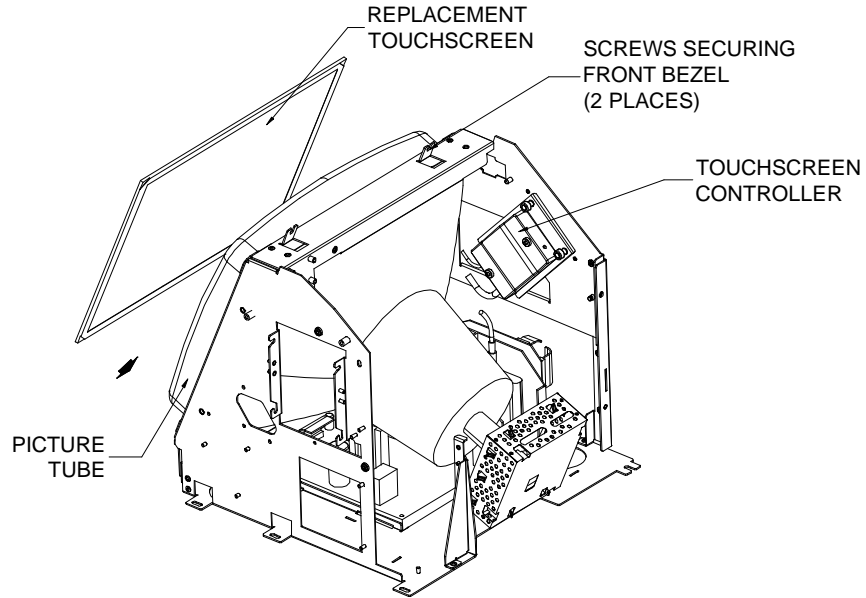


FIGURE 3 - FORCE RADION/FUN ZONE JR. - MONITOR ASSEMBLY

completely remove the touchscreen.

12. Remove any remaining adhesive residue with denatured alcohol, then wipe the surface of the picture tube with the supplied alcohol wipe.

Touchscreen Installation

13. Clean the reverse side of the replacement touchscreen with the supplied alcohol wipe.
14. Peel the backing from the 8 pieces of foam tape already adhered to the reverse side of the touchscreen. Then cut 8 pieces of equal size from the supplied roll of 3/8" double-sided foam tape (the thinner of the two supplied 3/8" rolls) and place them (backing side facing out) on the tape already on the touchscreen before peeling off the backing. The double-thickness of the foam tape will allow enough distance between the touchscreen and the picture tube once the new screen is in place.
15. Replace the new touchscreen over the picture tube (with the cable on the left if you are facing the game), making sure the screen is properly and evenly aligned over the picture tube. Then clean the front of the screen with the supplied alcohol wipe.
16. Connect the new touchscreen controller cable in the back of the controller and secure the controller on the mounting screws in the game with the existing hardware. Also connect the Molex connector (orange and gray wires) to the main power harness.
17. Remembering the manner in which the tape was placed around the touchscreen you removed, place and cut a

length of the supplied black poly tape evenly over an entire edge of the touchscreen and repeat until all 4 edges are covered.

18. Place and cut a longer length of black poly tape around all 4 edges of the screen.

NOTE: Use the additional 3/8" foam tape (the thicker of the two supplied 3/8" rolls) if you need to replace the gasket on the inside of the front bezel. Be sure to remove all of the existing foam tape and adhesive first.

19. Replace the front bezel and the 4 screws (2 at the bottom, 2 at the top) holding the bezel to the game. See Figures 2 and 3.
20. Replace the rear bezel and the 7 screws (5 along the top edge, 2 at the bottom rear) holding the bezel to the game. See Figure 2.
21. Replace the screw securing the strain relief cord to the rear door, then replace the monitor board.
22. Replace the cash box.
23. Plug in and turn on the game.
24. When the game is finished booting, calibrate the touchscreen.
25. Close and lock the rear door, then replace and lock both side doors.

FORCE CLASSIC GAMES

Touchscreen Removal

1. Turn off and unplug the game.
2. Unlock and remove the coin box or coin box/bill acceptor assembly.
3. Unlock and open the rear door. To remove the lid, first disconnect the fan

- power connector, then the clear drainage tubing (from lid end) and ground strap. Also remove the monitor control board attached with velcro to the inside of the game. Then press up on the spring-loaded levers (located on each side of the lid), push the levers forward, and lift and remove the lid. Also remove the front bezel. See Figures 4 and 5.
4. Remove the two nuts and washers securing the touchscreen controller to the game and remove the controller from the mounting screws. Then disconnect the touchscreen controller cable from the back of the controller and disconnect the Molex connector (orange and gray wires) running from the touchscreen controller cable to the main power harness.
 5. Remove the black poly tape from around the edges of the old touchscreen. Remember how the tape was placed in order to tape the new touchscreen.
 6. Use dental floss to carefully cut the foam tape holding the touchscreen to the picture tube until you are able to completely remove the touchscreen.
 7. Remove any remaining adhesive residue with denatured alcohol, then wipe the surface of the picture tube with the supplied alcohol wipe.

Touchscreen Installation

8. Clean the reverse side of the replacement touchscreen with the supplied alcohol wipe.
9. If there is no tape already on the screen, cut pieces of the supplied 1/2" double-sided foam tape long enough to cover each edge of the screen without over-

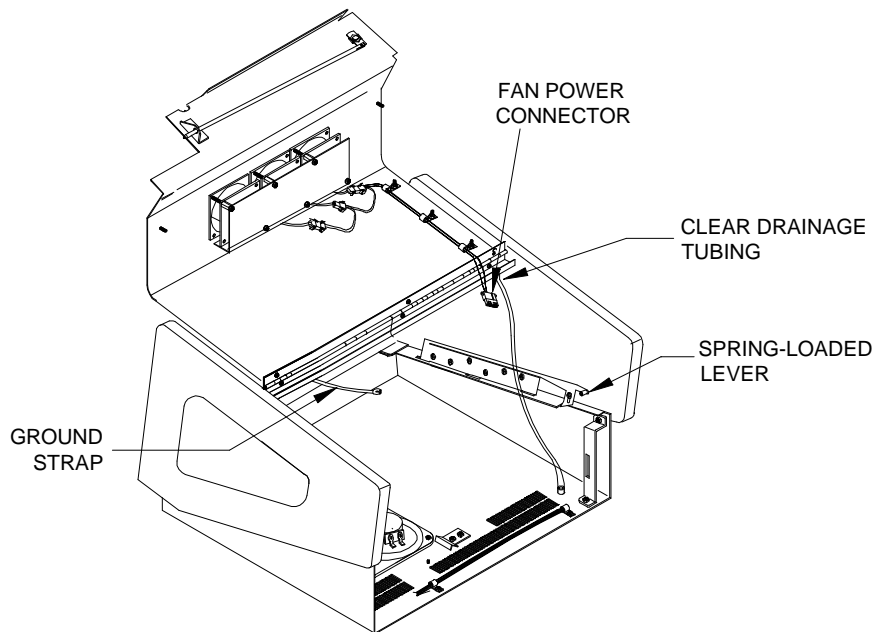


FIGURE 4 - FORCE CLASSIC - HOOD ASSEMBLY

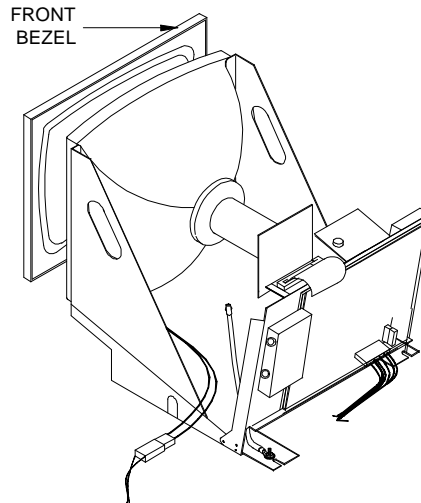


FIGURE 5 - FORCE CLASSIC - MONITOR ASSEMBLY

lapping. After the tape is in place on the screen, peel off the backing.

10. Replace the new touchscreen over the picture tube (with the cable on the right if you are facing the game), making sure the screen is properly and evenly aligned over the picture tube. Then clean the front of the screen with the supplied alcohol wipe.
11. Remembering the manner in which the tape was placed around the touchscreen you removed, place and cut a length of the supplied black poly tape evenly over an entire edge of the touchscreen and repeat until all 4 edges are covered.
12. Place and cut a longer length of black poly tape around all 4 edges of the screen.
13. Route the new touchscreen controller cable under the picture tube and away from the flyback transformer. Then re-

connect the cable in the back of the controller and secure the controller on the mounting screws in the game with the existing hardware. Also connect the Molex connector (orange and gray wires) to the main power harness.

NOTE: Use the supplied roll of 3/8" foam tape (the thicker of the two 3/8" rolls) if you need to replace the gasket on the inside of the front bezel. Be sure to remove all of the existing foam tape and adhesive first.

14. After replacing the front bezel, install the hood on the chassis, connecting the fan power connector, monitor control board, ground strap, and plastic drain tube. See Figure 4 for locations. Pull the hood towards you until the spring-loaded levers lock into place.
15. Close and lock the hood.
16. Plug in and turn on the game.
17. When the game is finished booting, cali-

brate the touchscreen.

18. Replace and lock the coin box or coin box/bill acceptor assembly.

FORCE ELITE GAMES

Touchscreen Removal

1. Turn off and unplug the game.
2. Unlock and open the rear door.
3. Disconnect the monitor power connection (black and yellow wires) running to the power supply.
4. Disconnect the monitor signal cable from the motherboard and remove it from the cable clamps.
5. Inside the game, access the latches for each side panel and remove both panels (see Figure 6).
6. Remove the two nuts and washers securing the touchscreen controller to the game and remove the controller from the mounting screws. Then disconnect the cable from the back of the controller and disconnect the Molex connector (orange and gray wires) running from the touchscreen controller cable to the main power harness.
7. Remove the 3 screws at the top of each side piece fastening the top cover to the game (see Figure 7) and remove the top cover.
8. Loosen the 5/16" nuts securing the 2 LCD clips (one on each side piece). See Figure 7.
9. Lift the bezel and monitor assembly from the game.
10. Remove the 3 screws on top of the front bezel (see Figure 7) and separate the bezel from the monitor.

rate the bezel from the monitor.

11. Use dental floss to carefully cut the foam tape holding the touchscreen to the monitor until you are able to completely remove the touchscreen.
12. Remove any remaining adhesive residue with denatured alcohol, then clean the monitor glass with the supplied alcohol wipe.

Touchscreen Installation

13. Clean the reverse side of the replacement touchscreen with the supplied alcohol wipe.
14. Cut pieces of the supplied 1/2" double-sided foam tape long enough to cover each edge of the screen without overlapping. After the tape is in place on the screen, peel off the backing.
15. Replace the new touchscreen over the monitor (with the cable on the left if you are facing the game), making sure the screen is properly and evenly aligned over the monitor glass. Then clean the front of the screen with the supplied alcohol wipe.
16. Reattach the front bezel to the monitor with the 3 screws removed earlier. See Figure 7.
17. Replace the monitor assembly, aligning it with the support brackets inside the game and making sure the LCD clips fit properly into the slots at the top of each side.
18. Tighten the nuts securing the 2 LCD clips. See Figure 7.
19. Replace the top cover.
20. Replace the 3 screws at the top of each side piece. The shorter screw will go

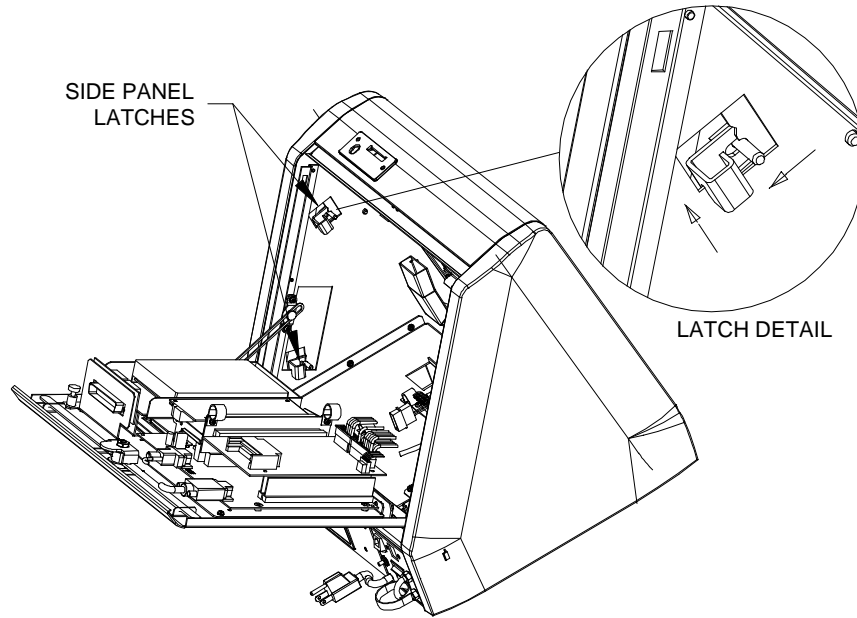


FIGURE 6 - FORCE ELITE - SIDE PANEL LATCH ACCESS

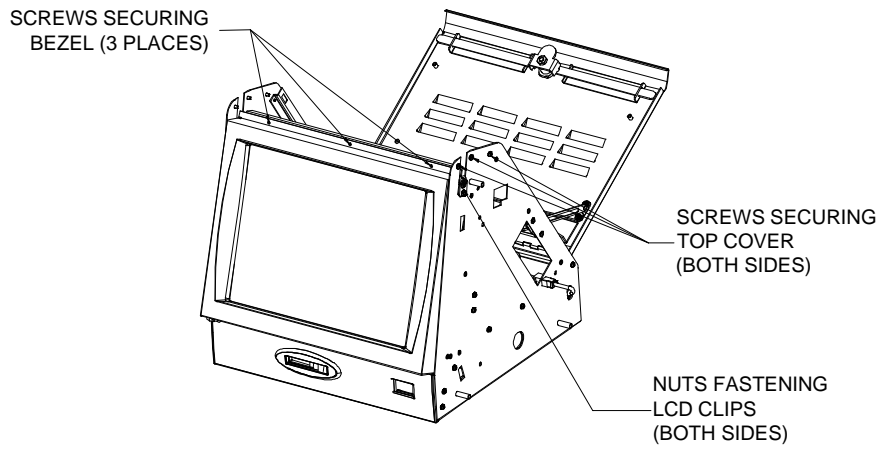


FIGURE 7 - FORCE ELITE - FRONT BEZEL REMOVAL

in the screw hole closest to the rear of the game. See Figure 7.

21. Connect the new touchscreen controller cable in the back of the controller and secure the controller on the mounting screws in the game with the existing hardware. Also connect the Molex connector (orange and gray wires) to the main power harness.
22. Replace both side panels.
23. Reconnect the monitor power connector to the power supply.
24. Route the monitor signal connector through the cable clamps and reconnect it to the motherboard.
25. Plug in and turn on the game.
26. When the game is finished booting, calibrate the touchscreen.
27. Close and lock the rear door.

FORCE VIBE GAMES

Touchscreen Removal

1. Turn off and unplug the game.
2. Unlock and open the CPU section.
3. **Games with bill acceptors only:** Remove the clamp fastening the bill acceptor sensor cable to the VGA monitor cable. Then disconnect the 12-pin power connector from the side of the bill acceptor and remove the 4 screws and washers securing the bill acceptor to the CPU. You will then be able to remove the bill acceptor.
4. Disconnect the VGA monitor cable connector and the screw fastening the cable to the monitor mounting plate, and also disconnect the ground screw. Then disconnect the monitor power connector. See Figure 8.
5. Remove the 2 thumbnuts securing the touchscreen controller to the game and

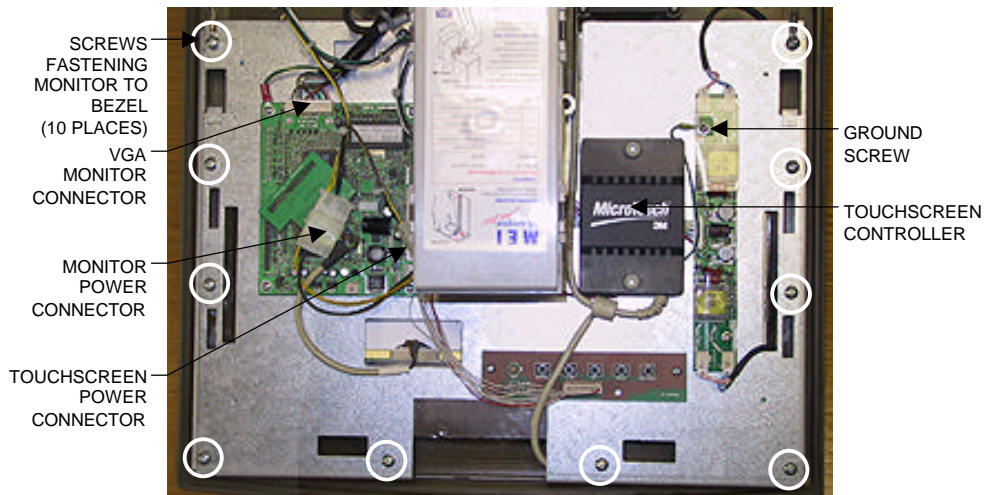


FIGURE 8 - FORCE VIBE - MONITOR REMOVAL

remove the controller from the mounting screws. Then disconnect the cable from the back of the controller and disconnect the Molex connector (orange and gray wires) running from the touchscreen controller cable to the main power harness. Also disconnect the ground screw. See Figure 8.

6. Using Figure 8, remove the 10 screws fastening the monitor to the bezel (2 screws also fasten strain relief cords on either side of the CPU) and carefully pull the monitor assembly away from the bezel until you're able to access the touchscreen.

NOTE: Keep track of all hardware removed in the touchscreen replacement process.

7. Note the orientation of the touchscreen cable before removing the screen. Then use dental floss to carefully cut the foam tape holding the touchscreen to the monitor until you are able to completely remove the screen. Note the manner in which the 2 layers of foam tape are placed on the front edge of the screen.
8. Remove any remaining adhesive residue with denatured alcohol, then clean the monitor glass with the supplied alcohol wipe.

Touchscreen Installation

9. Clean the reverse side of the replacement touchscreen with the supplied alcohol wipe.
10. If there is no tape already on the touchscreen, cut pieces of the supplied 1/2" double-sided foam tape long enough to cover each edge of the screen without overlapping. After the tape is in place on the screen, peel off the backing.

11. Replace the new touchscreen over the monitor in the same manner as the old screen, making sure the screen is properly and evenly aligned over the monitor glass. Then clean the front of the screen with the supplied alcohol wipe.

12. Using the original touchscreen for reference, cut pieces of the supplied 1/2" single-sided foam tape long enough to cover each edge of the front of the screen without overlapping, then place the tape on the screen. After the tape is in place, repeat this step so there are two layers of tape on the screen.

13. Connect the new touchscreen controller cable in the back of the controller and secure the controller on the mounting screws in the game with the existing hardware. Also connect the Molex connector (orange and gray wires) to the main power harness.

14. Replace the monitor assembly in the bezel, lining up the screw holes in the monitor with the holes in the bezel, then replace the 10 screws. See Figure 8.

15. Reconnect the VGA monitor cable connector and the screw fastening the cable to the monitor mounting plate, and also reconnect the ground screw. Then reconnect the monitor power connector. See Figure 8.

16. **Games with bill acceptors only:** Replace the bill acceptor in the CPU section (make sure the touchscreen controller cables do not interfere) and fasten it with the 4 screws and washers. Then reconnect the 12-pin bill acceptor power connector. It is also recommended you use a cable clamp to refasten the bill acceptor sensor and VGA monitor cables.

16. Plug in and turn on the game.
17. When the game is finished booting, calibrate the touchscreen.
18. Close and lock the CPU section.

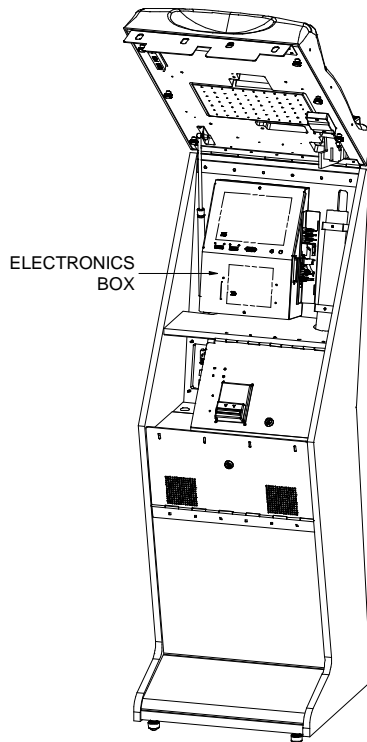
FORCE FUSION/ FUN ZONE GAMES

Use Figures 9 and 10 to determine your type of game, then follow the appropriate instructions to remove and install the touchscreen.

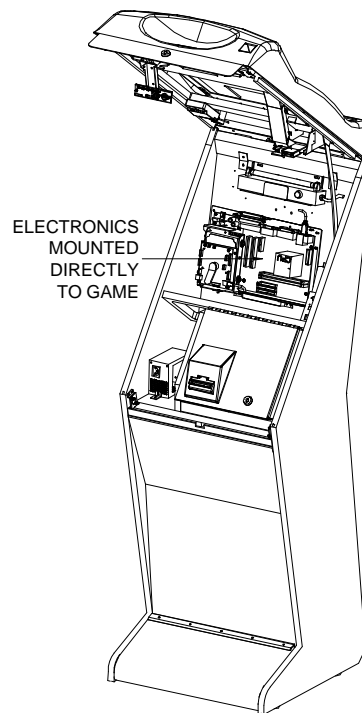
Fusion with electronics box/ Fun Zone

Touchscreen Removal

1. Turn off and unplug the game.
2. Unlock and open the bezel.
3. Remove the 6 thumbnuts fastening the bezel to the game (see Figure 11) and remove the bezel.
4. Remove the cable clamps securing the touchscreen cable and the touchscreen power harness, then remove the screws fastening the touchscreen



**FIGURE 9 - FUSION WITH
ELECTRONICS BOX/FUN ZONE**



**FIGURE 10 - FUSION WITHOUT
ELECTRONICS BOX**

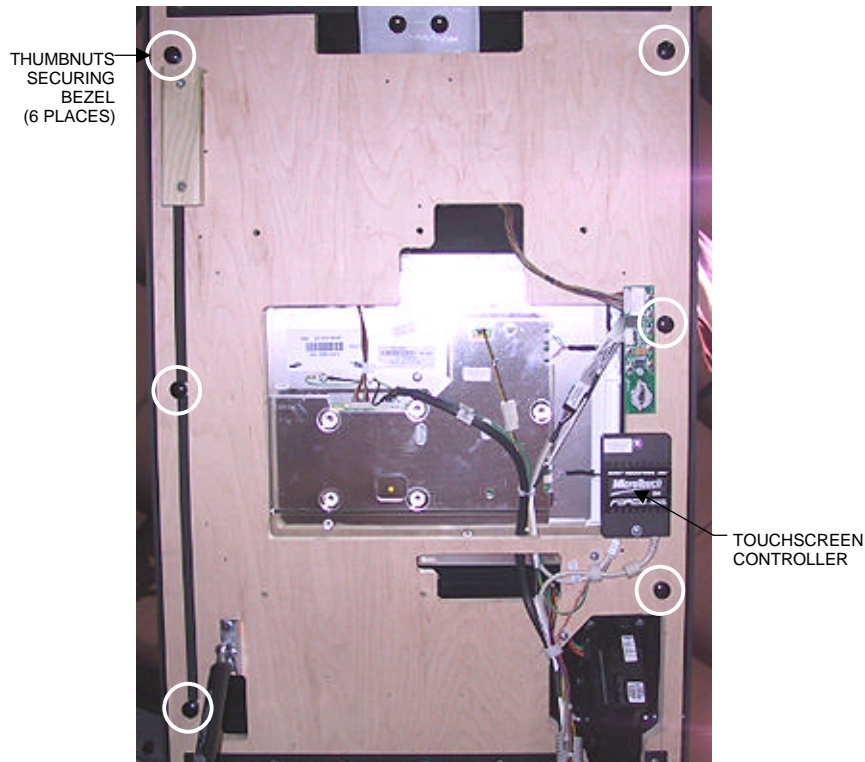


FIGURE 11 - UNDERSIDE OF BEZEL

controller (see Figure 11) to the game and disconnect the cable from the back of the controller. Locate and disconnect the Molex connector (orange and gray wires) running from the touchscreen controller cable to the main power harness, and also disconnect the ground screw.

5. Use dental floss to carefully cut the foam tape holding the touchscreen to the monitor until you are able to completely remove the screen. Once the touchscreen is completely free from the monitor, remove any residual foam tape from the monitor with denatured alcohol.

Touchscreen Installation

6. Clean the glass on the reverse side of the new touchscreen with the supplied alcohol wipe, then cut pieces of the supplied 1/2" foam tape long enough to cover each edge of the monitor without overlapping. After the tape is in place on the monitor, peel off the backing. Carefully place the touchscreen over the monitor in the same manner it was attached to the old monitor, making sure the screen is properly and evenly aligned over the glass. Clean the front of the touchscreen with the supplied alcohol wipe once it is in place.
7. Connect the touchscreen cable in the

back of the controller (see Figure 11) and secure the controller with the existing hardware. Also connect the Molex connector (orange and gray wires) to the main power harness (after routing the wires through the cable clamps) and attach the ground screw.

8. Reinstall the bezel on the game and fasten it with the 6 thumbnuts.
9. Plug in and turn on the game.
10. When the game is finished booting, press the CALIBRATE button.
11. Close and lock the bezel, then calibrate the touchscreen.

Fusion without electronics box

Touchscreen Removal

1. Turn off and unplug the game.
2. Unlock and open the bezel.
3. Disconnect the VGA monitor connector and ground screw, the monitor control board connector, and the monitor power connector and also remove the cables from the 2 clamps attached to the monitor. See Figure 12.
4. Remove the screws fastening the touchscreen controller to the game and disconnect the cable from the back of the controller. Then locate and disconnect the Molex connector (orange and gray wires) running from the touchscreen controller cable to the main power harness. After disconnecting the ground screw, pull the cables out of the clamps. See Figures 12 and 13.
5. Remove the 10 screws securing the plastic bezel to the wooden frame (see

Figure 12) and carefully remove the bezel from the game. Be careful not to damage the bezel with the coin cup during removal.

NOTE: Keep track of all hardware removed in the touchscreen replacement process.

6. Place the bezel assembly upside-down on a flat surface and remove the 10 screws fastening the LCD monitor to the bezel (remember which 2 screws also fasten cable clamps), then remove the monitor from the bezel. See Figure 14.

NOTE: Be sure the glass is not scratched when setting the monitor aside.

7. Note the orientation of the touchscreen cable before removing the screen. Then use dental floss to carefully cut the foam tape holding the touchscreen to the monitor until you are able to completely remove the screen. Once the touchscreen is completely free from the monitor, remove any residual foam tape from the monitor with denatured alcohol.

Touchscreen Installation

7. Clean the glass on the reverse side of the new touchscreen with the supplied alcohol wipe, then cut pieces of the supplied 1/2" foam tape long enough to cover each edge of the monitor without overlapping. After the tape is in place on the monitor, peel off the backing.
8. Carefully place the touchscreen over the monitor in the same manner as the old screen, making sure the screen is properly and evenly aligned over the glass. Then clean the front of the screen with the supplied alcohol wipe.

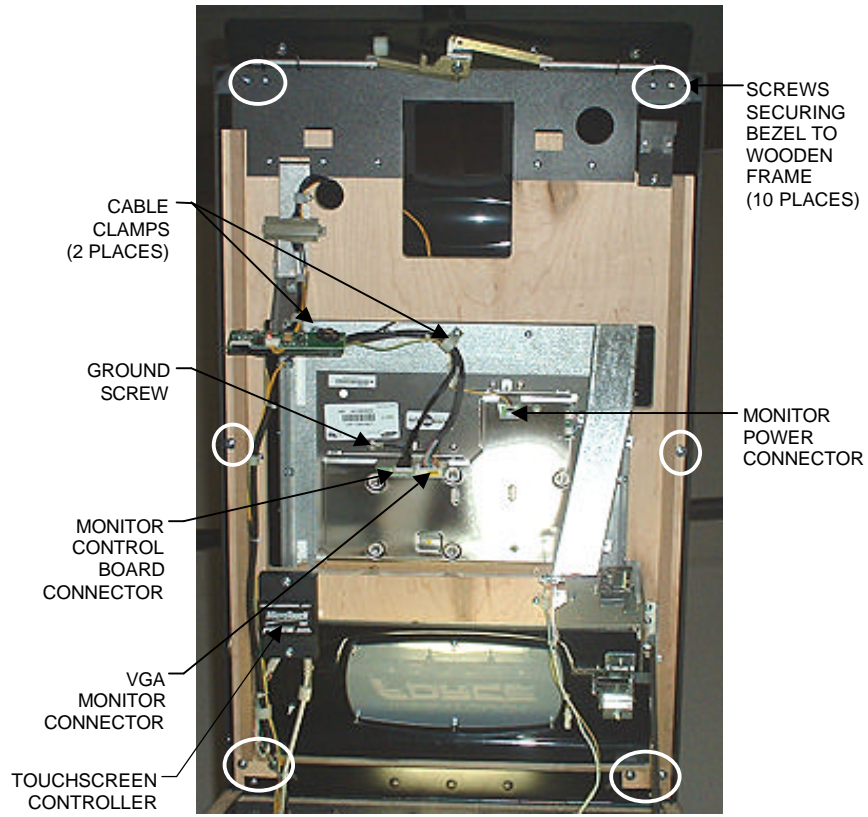


FIGURE 12 - FORCE FUSION - UNDERSIDE OF BEZEL

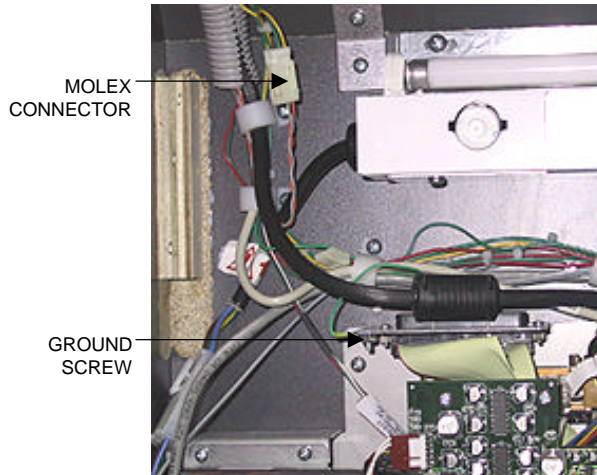


FIGURE 13 - FORCE FUSION - CLOSEUP OF CPU SECTION

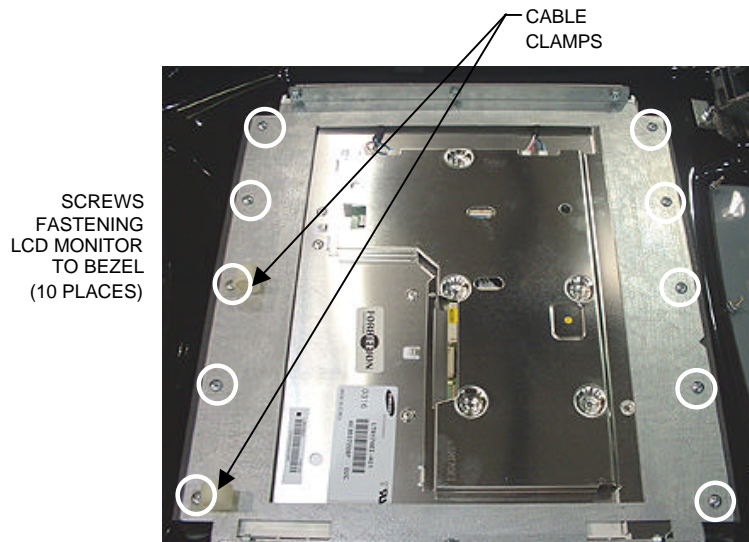


FIGURE 14 - FORCE FUSION - UNDER SIDE OF MONITOR

9. Place the new LCD monitor in the bezel (make sure it is not upside-down), lining up the screw holes on the face of the mounting frame with the larger, drilled holes on the plastic mounting pieces (see Figure 15), and fasten it with the 10 screws. Also replace the cable clamps in the appropriate screw holes (See Figure 14).
10. Carefully replace the plastic bezel assembly in the game, making sure the coin cup protrudes into the lower cutout and no wires are pinched, then secure it to the wooden frame with the 10 screws (see Figure 12).
11. Connect the touchscreen controller cable in the back of the controller and secure the controller in the game with the existing hardware. Then connect the Molex connector (orange and gray wires) to the main power harness and attach the ground screw. Replace the cables in the clamps as before. See Figure 13.
12. Reconnect the VGA monitor connector and ground screw (do not over-tighten), the monitor control board connector, and the monitor power connector (see Figure 12) and replace the cables in the 2 clamps attached to the monitor.
13. Plug in and turn on the game.
14. When the game is finished booting, press the CALIBRATE button.
15. Close and lock the bezel, then calibrate the touchscreen.

FORCE UPRIGHT (NON-FUSION) GAMES

Touchscreen Removal

1. Turn off and unplug the game.
2. **Upright with coin door:** Remove the bezel by removing the 2 wing nuts in-

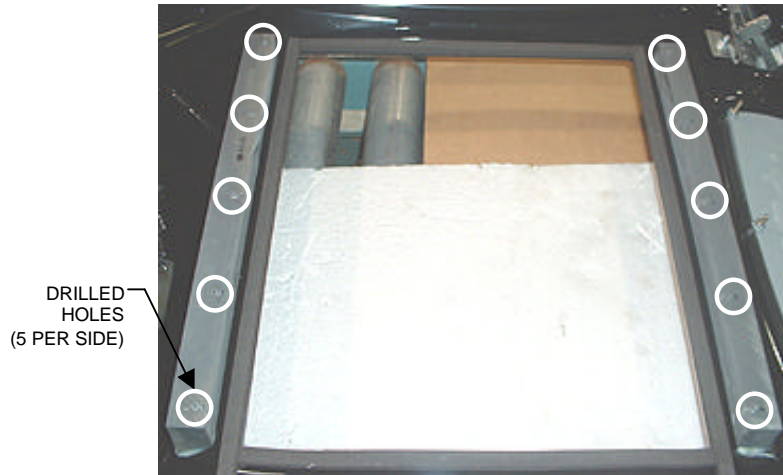


FIGURE 15 - FORCE FUSION - PLASTIC MOUNTING PIECES ON BEZEL

side the CPU door along the bottom of the bezel and the 3 wing nuts inside the game along the top piece (after removing the rear door). Then disconnect the 2 speaker connectors inside the game on either side of the marquee before lifting the bezel from the game.

Upright without coin door: Unlock and open the front bezel (see Figure 16).

3. Remove the black poly tape (see Figure 16) from around the edges of the old touchscreen, keeping the manner in which the tape was placed around the screen in mind.
4. Remove the two nuts and washers securing the touchscreen controller to the game and remove the controller from the mounting screws. Then disconnect the cable from the back of the controller and disconnect the Molex connector (orange and gray wires)

running from the touchscreen controller cable to the main power harness.

5. Use dental floss to carefully cut the foam tape holding the touchscreen to the picture tube until you are able to completely remove the touchscreen.
6. Remove any remaining adhesive residue with denatured alcohol, then wipe the surface of the picture tube with the supplied alcohol wipe.

Touchscreen Installation

7. Clean the reverse side of the replacement touchscreen with the supplied alcohol wipe.
8. Peel the backing from the 8 pieces of double-sided foam tape already adhered to the reverse side of the touchscreen.
9. Replace the new touchscreen over the picture tube (with the cable on the right

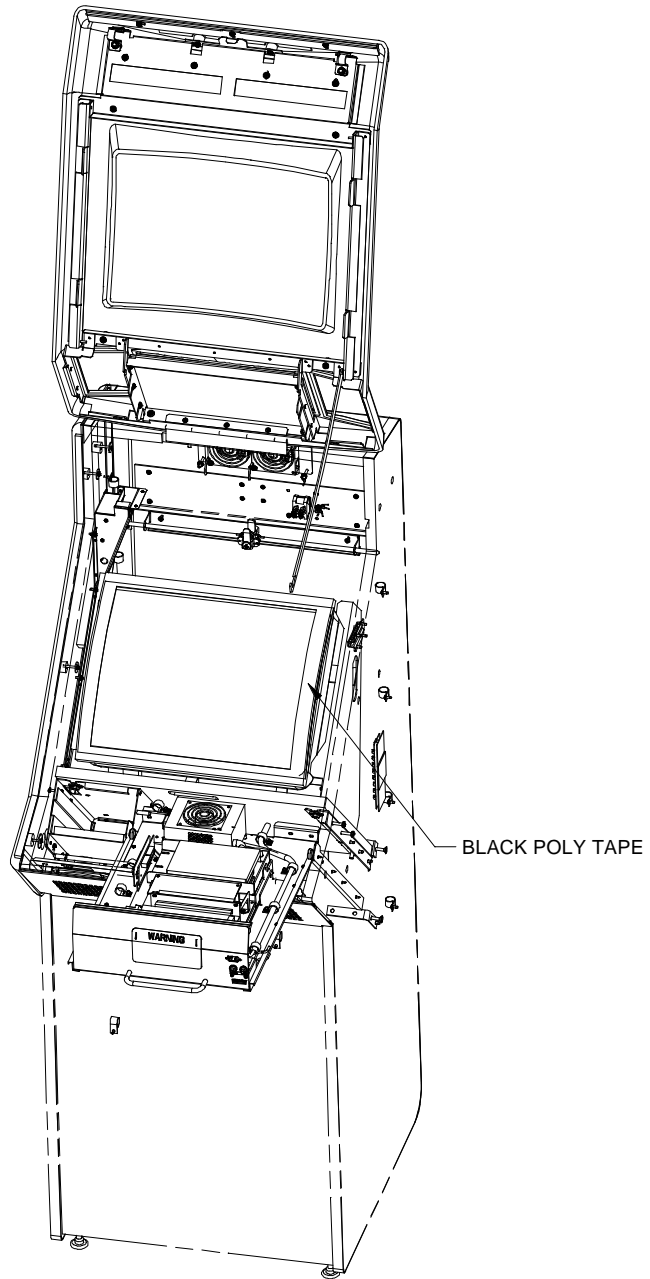


FIGURE 16 - FORCE UPRIGHT (NON-FUSION) TOUCHSCREEN ACCESS

if you are facing the game), making sure the screen is properly and evenly aligned over the picture tube. Then clean the front of the screen with the supplied alcohol wipe.

10. Connect the new touchscreen controller cable in the back of the controller and secure the controller on the mounting screws in the game with the existing hardware. Also connect the Molex connector (orange and gray wires) to the main power harness.
11. Remembering the manner in which the tape was placed around the touchscreen you removed, place and cut a length of the supplied black poly tape evenly over an entire edge of the touchscreen and repeat until all 4 edges are covered.
12. Place and cut a longer length of black poly tape around all 4 edges of the screen.
13. Plug in and turn on the game.
14. When the game is finished booting, calibrate the touchscreen.
15. Close and lock the front bezel. For upright games with coin doors, replace the bezel and secure it with the 5 wing nuts removed earlier. Also reconnect the 2 speaker connectors, then replace the rear door.

MEGATOUCH COMBO JUKEBOX

Touchscreen Removal

1. Turn off and unplug the game.
2. Unlock and remove the rear door and turn off the internal power switch (located above the cooling fan on the left

side).

3. Using Figures 17 and 18, remove the 6 bolts and wing nuts (3 per side) fastening the front bezel to the cabinet and remove the bezel.
4. Using Figure 19, locate the touchscreen controller mounted inside the cabinet on the right side (if you are facing the rear of the game) and remove the two screws fastening the controller to the cabinet. Then disconnect the Molex connector (orange and gray wires) running from the touchscreen controller cable to the main power harness.
5. Remove the black poly tape from around the edges of the old touchscreen (see Figure 20). Remember how the tape was placed in order to tape the new touchscreen.
6. Use dental floss to carefully cut the foam tape holding the touchscreen to the picture tube until you are able to completely remove the touchscreen.
7. Remove any remaining adhesive residue with denatured alcohol, then wipe the surface of the picture tube with the supplied alcohol wipe.

Touchscreen Replacement

8. Clean the reverse side of the replacement touchscreen with the supplied alcohol wipe.
9. If there is no tape already on the touchscreen, cut pieces of the supplied 1/2" foam tape long enough to cover each edge of the screen without overlapping. After the tape is in place on the screen, peel off the backing.
10. Replace the new touchscreen over the

monitor (with the cable on the left if you are facing the game), making sure the screen is properly and evenly aligned over the picture tube. Then clean the front of the screen with the supplied alcohol wipe.

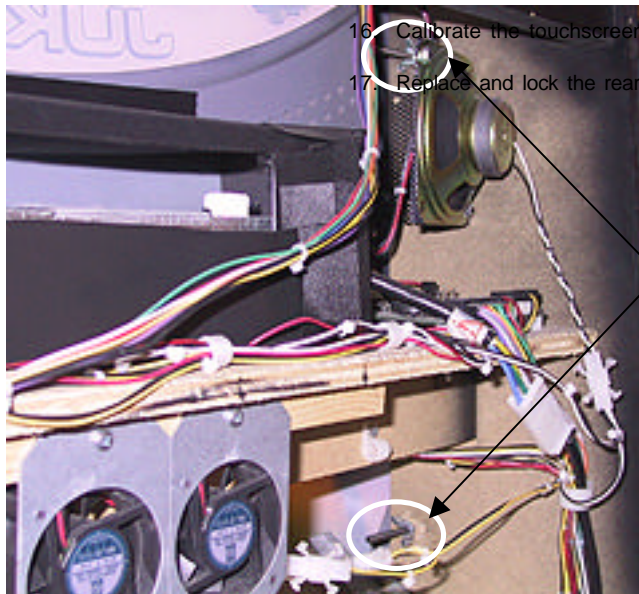
11. Remembering the manner in which the tape was placed around the touchscreen you removed, place and cut a length of the supplied black poly tape evenly over an entire edge of the touchscreen and repeat until all 4 edges are

covered.

12. Place and cut a longer length of black poly tape around all 4 edges of the screen.
13. Connect the new touchscreen controller cable in the back of the controller and secure the controller with the existing hardware. Also connect the Molex connector (orange and gray wires) to the main power harness.
14. Carefully replace the front bezel, lining up the holes in the bezel with the screw holes on the game. Then replace the 6 bolts and wing nuts (3 per side) fastening the bezel to the game. Refer to figures 17 and 18.

15. Plug in and turn on the game.

16. Calibrate the touchscreen.
17. Replace and lock the rear door.



BOLTS AND WING NUTS FASTENING FRONT BEZEL TO CABINET (BOTH SIDES)

FIGURE 17 - MEGATOUCH COMBO JUKEBOX - INSIDE REAR OF CABINET

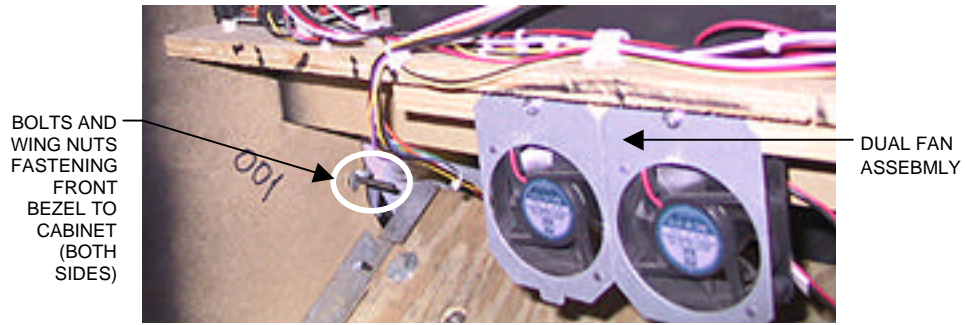


FIGURE 18 - MEGATOUCH COMBO JUKEBOX - INSIDE REAR OF CABINET

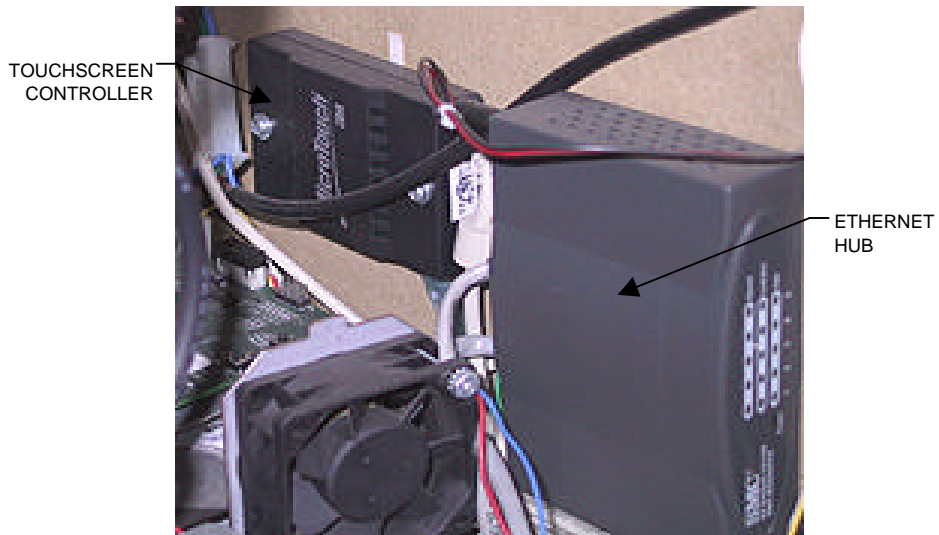


FIGURE 19 - MEGATOUCH COMBO JUKEBOX - INSIDE REAR OF CABINET



FIGURE 20 - MEGATOUCH COMBO JUKEBOX - MONITOR AND TOUCHSCREEN

MR. VIPS GAMES

Touchscreen Removal

1. Turn off and unplug the game.
2. Unlock and remove the upper rear door.
3. To remove the large prize assembly, first remove the 2 nuts and bolts fastening the cap and unplug the fluorescent light assembly, then remove the remaining 8 nuts and bolts fastening the prize assembly to the game. The cap and prize assembly can be removed together. See Figure 21.
4. To proceed with touchscreen removal, first determine the type of hardware securing the shroud to your game. See Figures 22 and 23.

Games with screws securing front of shroud:

- To remove the front bezel from the shroud, remove the 4 screws on the underside of the bezel (see Figure 22), then remove the 4 screws (2 per side) on either side of the front bezel (see Figure 24). The bezel can then be removed.

Games with bolts securing front of shroud:

- Remove the cable clamp fastening the small prize assembly light wiring to the monitor frame. See Figure 25.
- From inside the game, access and remove the 4 screws (2 per side) fastening the sides of the shroud to the game. See Figure 26.
- Remove the bolts and nuts (there may be as many as 6) securing the monitor to the game (see Fig-

ures 27-29 for possible locations). Then carefully pull the monitor towards you until you have enough room to access the 4 nuts securing the bolts holding the front of the shroud to the game. Remove the nuts and bolts, then carefully remove the shroud and small prize assembly from the game.

5. Remove the black poly tape (see Figure 30) from around the edges of the old touchscreen, keeping the manner in which the tape was placed around the screen in mind.
6. Remove the two nuts and washers securing the touchscreen controller to the inside of the monitor (see Figure 31) and remove the controller from the mounting screws. Then disconnect the cable from the back of the controller and disconnect the Molex connector (orange and gray wires) running from the touchscreen controller cable to the main power harness.
7. Use dental floss to carefully cut the foam tape holding the touchscreen to the picture tube until you are able to completely remove the touchscreen.
8. Remove any remaining adhesive residue with denatured alcohol, then wipe the surface of the picture tube with the supplied alcohol wipe.

Touchscreen Installation

1. Clean the reverse side of the replacement touchscreen with the supplied alcohol wipe.
2. Peel the backing from the 8 pieces of double-sided foam tape already adhered to the reverse side of the touchscreen.

3. Replace the new touchscreen over the picture tube (with the cable on the right if you are facing the game), making sure the screen is properly and evenly aligned over the picture tube. Then clean the front of the screen with the supplied alcohol wipe.
4. Connect the new touchscreen controller cable in the back of the controller and secure the controller on the mounting screws in the game with the existing hardware (see Figure 31). Also connect the Molex connector (orange and gray wires) to the main power harness.
5. Remembering the manner in which the tape was placed around the touchscreen you removed, place and cut a length of the supplied black poly tape evenly over an entire edge of the touchscreen and repeat until all 4 edges are covered.
6. Place and cut a longer length of black poly tape around all 4 edges of the screen.
7. **Games with screws securing front of shroud:**
 - Replace the bezel in the shroud and secure it with the 8 screws. See Figures 22 and 24.

Games with bolts securing front of shroud:

- Replace the shroud and small prize assembly, then secure the front of the shroud with the 4 nuts and bolts removed earlier.
 - Slide the monitor back into position and secure it with the hardware removed earlier (see Figures 27-29 for hardware locations).
 - Replace the 4 screws (2 per side) fastening the sides of the shroud to the game. See Figure 23.
 - Replace the cable clamp fastening the small prize assembly light wiring to the monitor frame. See Figure 25.
8. Replace the cap and large prize assembly, then replace the 8 nuts and bolts fastening the prize assembly to the game. Then replace the 2 nuts and bolts fastening the cap to the game and plug in the fluorescent light. See Figure 21.
 9. Replace and lock the upper rear door.
 10. Plug in and turn on the game.

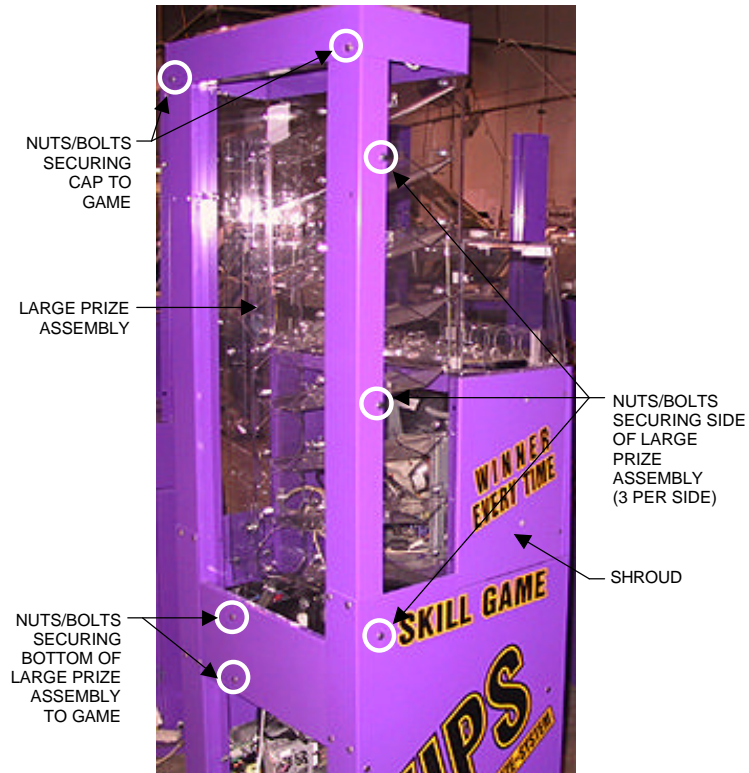


FIGURE 21 - SIDE/REAR VIEW OF GAME



FIGURE 22 - FRONT OF SHROUD FASTENED WITH SCREWS



FIGURE 23 - FRONT OF SHROUD FASTENED WITH BOLTS



FIGURE 24 - SIDE/FRONT OF GAME

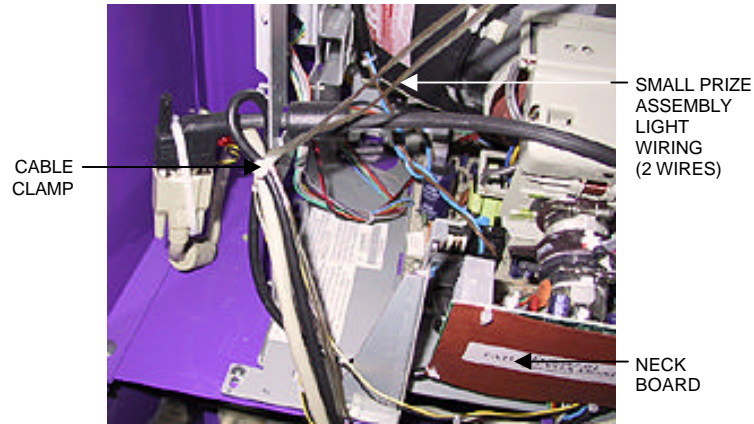


FIGURE 25 - REAR OF MONITOR

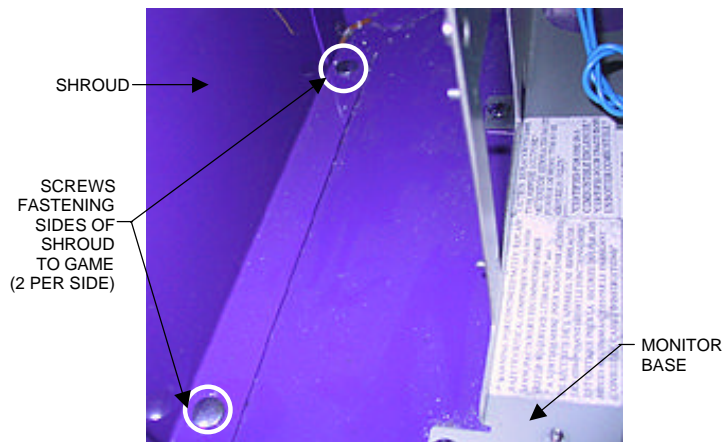


FIGURE 26 - INSIDE OF SHROUD

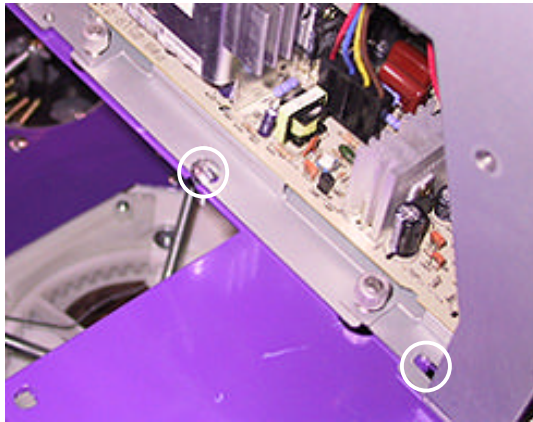


FIGURE 27 - POSSIBLE HARDWARE LOCATION FOR MOUNTING MONITOR

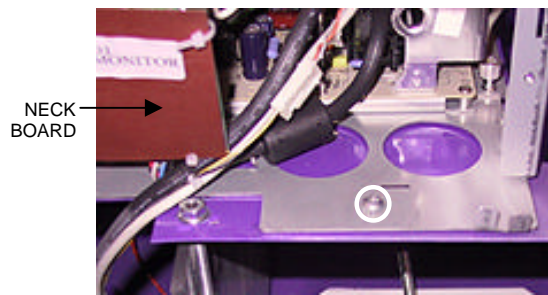


FIGURE 28 - POSSIBLE HARDWARE LOCATION FOR MOUNTING MONITOR

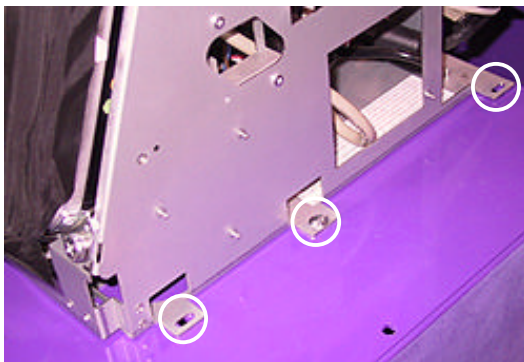


FIGURE 29 - POSSIBLE HARDWARE LOCATION FOR MOUNTING MONITOR

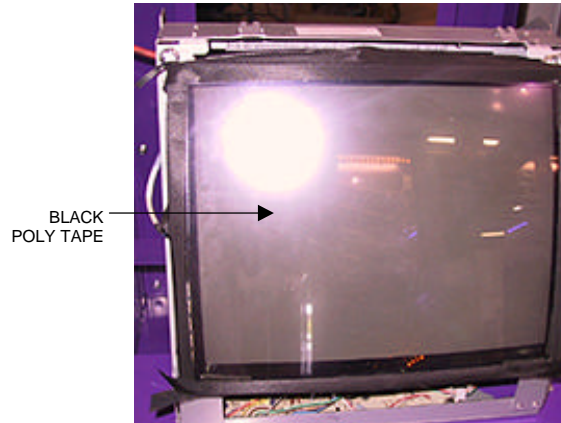


FIGURE 30 - MONITOR AND TOUCHSCREEN

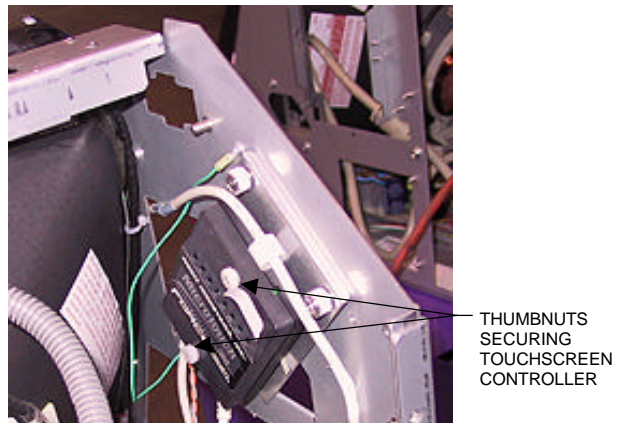


FIGURE 31 - TOUCHSCREEN CONTROLLER

MEGATOUCH FORCE TOUCHSCREEN REPLACEMENT
PM0331-04