



merit industries, inc.

Tech Notes

<http://www.meritind.com>

Date: 03-06-03

Re: Control Board Installation for Megatouch Combo Jukebox and MegaTunes

If you are replacing the control board on a Megatouch Combo Jukebox, you will need to disable the jumper located at JP8 on the board if there is a jumper at this location. When replacing the control board in a MegaTunes unit, the jumper must be in place. Also, if you are sending a board in for repair, be sure to remove the I Button from the board before sending it in and replace it when the board is returned. The I Button should always remain with the game.

To install the control board in a Megatouch Combo Jukebox:

1. Turn off and unplug the jukebox.
2. Remove the rear door and locate the control board in the unit. It will either be located next to the fluorescent lamp assembly or next to the single board computer (see Figure 1).

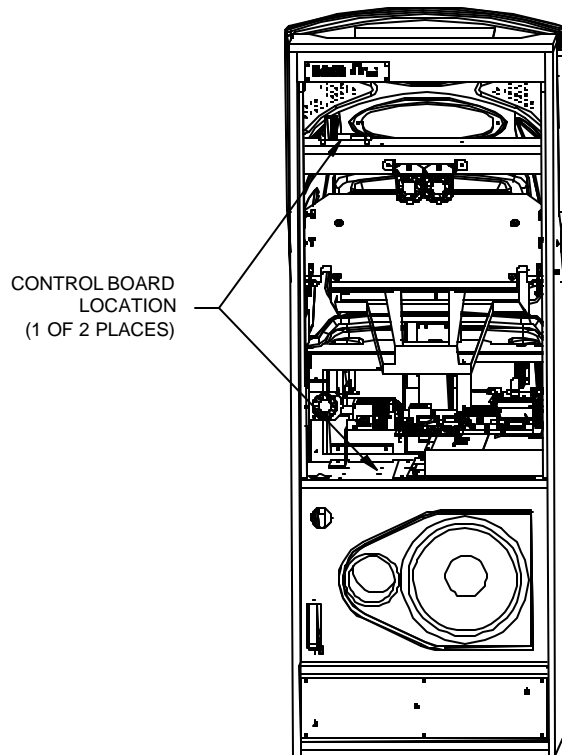


FIGURE 1: MEGATOUCH COMBO JUKEBOX (REAR VIEW)

3. Disconnect the antenna and all harnesses from the board. Be sure to note where each connection was made.
4. Remove the screws fastening the board to the unit and remove the board. Then remove the I Button and replace it in the replacement board. See Figure 2.

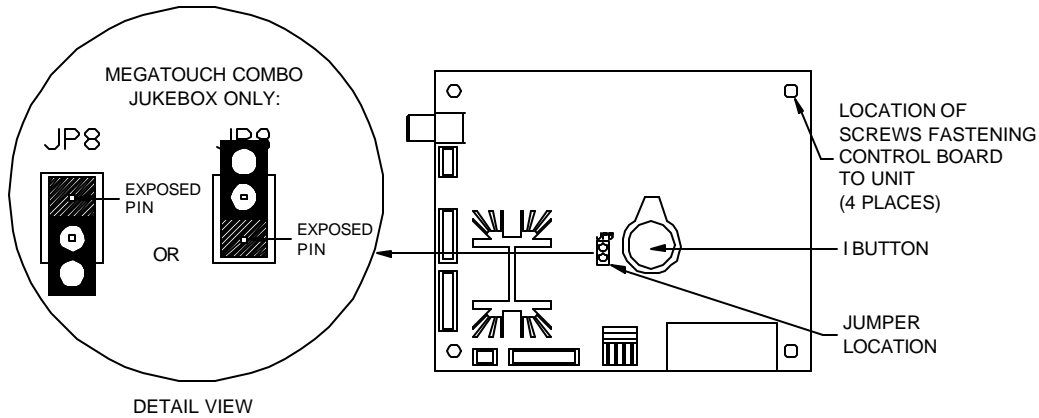


FIGURE 2: CONTROL BOARD

5. Using Figure 2, locate JP8 on the new control board.
 6. If there is a jumper at this location, remove the jumper from the pins on the control board and replace it so one of the pins is exposed. This will both disable the jumper and keep it from being misplaced. See Figure 2.
 7. Install the new control board in the jukebox in the manner you removed the old board.
 8. Reconnect the antenna and all harnesses to the board.
 9. Replace the rear door.
 10. Plug in and turn on the game.
- NOTE: It may be necessary to reprogram the remote control after replacing the control board. See your owner's manual for instructions.

To install the control board in a MegaTunes unit:

1. Turn off and unplug the unit.
2. Remove the (6) screws fastening the top cover to the unit (see Figure 3) and remove the cover.

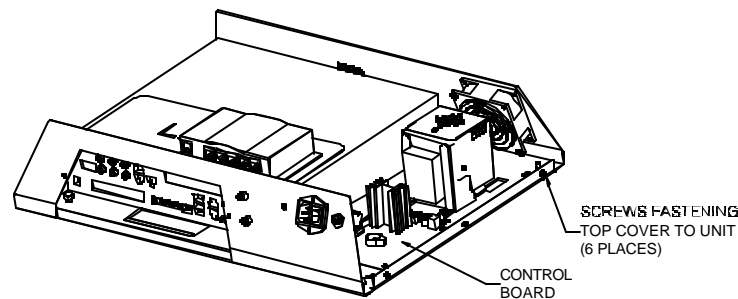


FIGURE 3: MEGATUNES UNIT

3. Locate the control board in the unit. See Figure 3.
4. Disconnect the antenna and all harnesses from the board. Be sure to note where each connection was made.
5. Remove the screws fastening the board to the unit and remove the board. Then remove the I Button and replace it in the new board. See Figure 2.
6. Using Figure 2, check for the jumper at JP8 and make sure the jumper is covering BOTH pins. Then install the new control board in the unit in the manner you removed the old board.
7. Reconnect the antenna and all harnesses to the board.
8. Replace the top cover and (6) screws.
9. Plug in and turn on the unit.

NOTE: It may be necessary to reprogram the remote control after replacing the control board. See your owner's manual for instructions.

If you have any questions regarding control board installation, please contact Merit Customer Service and Technical Support by phone at 215-639-4700 or 800-445-9353, or by e-mail at TechCenter@meritind.com.