



# Ion Fusion Installation & Owner's Manual

**FOR TECHNICAL ASSISTANCE:**

**CONTACT YOUR LOCAL DISTRIBUTOR**

For a list of distributors, visit the Merit Entertainment Web site

[www.meritgames.com](http://www.meritgames.com)



PM0463-16

## Table of Contents

---

<p><b>Site Preparation</b> ..... p. 1</p> <p><b>Setting up your Megatouch Game</b> ..... p. 1</p> <p><b>Game Description</b> ..... p. 2</p> <p style="padding-left: 20px;">CPU Section ..... p. 2</p> <p style="padding-left: 20px;">Cash Box Section ..... p. 2</p> <p><b>General Care and Maintenance</b> ..... p. 2-4</p> <p style="padding-left: 20px;">Touchscreen/Joystick Calibration ..... p. 2-3</p> <p style="padding-left: 20px;">Monitor Color Adjustment Procedure ..... p. 3</p> <p style="padding-left: 20px;">General Circuit Board Handling Information ..... p. 3</p> <p style="padding-left: 20px;">Replacing the Marquee ..... p. 4</p> <p style="padding-left: 20px;">Cleaning the Cabinet ..... p. 4</p> <p style="padding-left: 20px;">Cleaning the Joystick ..... p. 4</p> <p style="padding-left: 20px;">Cleaning the Touchscreen Monitor ..... p. 4</p> <p style="padding-left: 20px;">Cleaning the Fans and Vents ..... p. 4</p> <p style="padding-left: 20px;">Watch Dog Timer ..... p. 4</p> <p><b>Megatouch ION Software</b></p> <p><b>Game Name and Score Needed for Initial Replay</b> ..... p. 5</p> <p><b>Operator Setup Screens Flowchart</b> ..... p. 6</p> <p><b>Main Menu</b> ..... p. 7-8</p> <p><b>Credits/Pricing Menu</b> ..... p. 9-12</p> <p style="padding-left: 20px;">Quick Price Setup ..... p. 9</p> <p style="padding-left: 20px;">Coin-In Menu ..... p. 10</p> <p style="padding-left: 20px;">Coinless Coin Op Menu ..... p. 11-12</p> <p style="padding-left: 20px;">Rental Mode ..... p. 12</p> <p><b>Games Menu</b> ..... p. 13</p> <p style="padding-left: 20px;">Game Setup ..... p. 13</p> <p><b>Hi Scores Menu</b> ..... p. 14</p> <p style="padding-left: 20px;">View/Clear Hi Scores ..... p. 14</p>	<p><b>Books Menu</b> ..... p. 14-16</p> <p style="padding-left: 20px;">Books Display ..... p. 14-15</p> <p style="padding-left: 20px;">Cash Settlement ..... p. 15-16</p> <p><b>System Menu</b> ..... p. 17</p> <p><b>Diagnostics Menu</b> ..... p. 18</p> <p style="padding-left: 20px;">Hard Drive Self Diagnostics ..... p. 19</p> <p><b>Presentation Menu</b> ..... p. 20</p> <p style="padding-left: 20px;">Operator's Ad Screens ..... p. 20</p> <p><b>Promotion Menu</b> ..... p. 20-21</p> <p style="padding-left: 20px;">My Merit ..... p. 20-21</p> <p style="padding-left: 20px;">Merit Money ..... p. 21</p> <p style="padding-left: 20px;">Promo Credits ..... p. 21</p> <p><b>Megatouch Player and Operator Keys</b> ..... p. 22</p> <p><b>Jukebox Mega-Link Setup</b> ..... p. 23-24</p> <p style="padding-left: 20px;">Hardware ..... p. 23</p> <p style="padding-left: 20px;">Software ..... p. 23-24</p> <p><b>Wireless Setup</b> ..... p. 25</p> <p><b>Local Tournament Mode</b> ..... p. 26-30</p> <p><b>Megatouch Ion Fusion Hardware</b></p> <p><b>DIP Switch Settings</b> ..... p. 31</p> <p><b>Connecting a Printer (German games only)</b> ..... p. 32</p> <p><b>Troubleshooting</b> ..... p. 33-35</p> <p><b>Parts List and Illustrations</b></p> <p style="padding-left: 20px;">Game Illustrations ..... p. 36-37</p> <p style="padding-left: 20px;">Replacement Parts List ..... p. 38</p> <p style="padding-left: 20px;">Connection Diagrams ..... p. 39-41</p> <p><b>Warranty and Software License Agreements</b></p> <p style="padding-left: 20px;">Warranty ..... p. 42</p> <p style="padding-left: 20px;">Software License Agreement ..... p. 43-48</p>
--	--

© 2006 Merit Entertainment

Megatouch Fusion, Ion 2007, Mega-Lease, Mega-Link, MegaNet, MegaTunes, MegaWeb, TournaMAXX and TournaCHAMP are registered trademarks of Merit Entertainment.

Reproduction of this manual, in any form or by any means, is strictly forbidden without the written permission of Merit Entertainment.

## Site Preparation

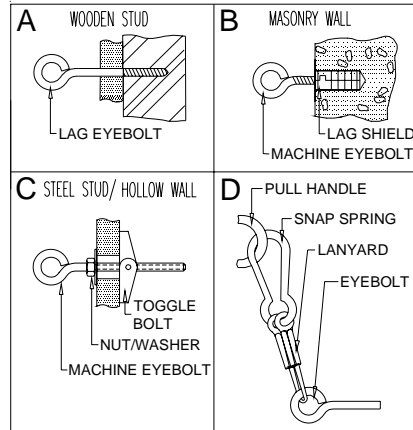
In determining the location for your Megatouch Ion™ video game, consideration must be given to a suitable, grounded electrical outlet. Since the game is a computerized device, it should have a separate circuit, if at all possible. If a separate circuit is not available, care should be taken to provide a clean and constant voltage. As a basic guideline, never connect the unit to a circuit that also supplies power to freezers, coolers or other high power consuming and electrical noise generating equipment. Place the game in a location where nothing will interfere with proper ventilation. The game should not be exposed to any dripping or splashing liquids. Objects filled with liquid should not be placed on the unit.

The upright model should be located on a sturdy, level surface. The bottom of the cabinet has two leg levellers on the back to make any necessary adjustments. When the game is properly adjusted, it should remain stable. The game is designed to be secured to a wall. Locate the supplied hardware inside the coin box and follow the instructions below to secure the game to the wall.

1. Locate a wall stud to mount the game.
2. Measure 46" from the floor on the mounting stud and drill a hole to install the hardware. Installation into a wooden stud requires a 2" deep x 1/4" hole. For masonry walls drill a 1 1/4" deep x 1/2" hole. For steel stud or hollow walls drill an 11/16" hole.
3. For wooden stud installation, screw the lag eyebolt into the hole (see Figure A). For masonry wall, insert the lag shield into the hole and then insert and tighten the machine eyebolt (see Figure B). For steel stud or hollow walls, insert the toggle bolt into the hole and then insert

the machine eyebolt, nut and washer and tighten (see Figure C).

4. Route the lanyard through the eye bolt and attach it to the snap spring as shown in Figure D. Then, attach the snap spring to the handle on the back of the game.



## Setting up your Megatouch Game

1. After removing the game from the carton, attach the power cord to the back of the game near the ON/OFF switch. Plug the game into a standard AC outlet.
2. Turn the power switch at the back of the game to ON and wait for it to go through its boot-up sequence. At the completion of the boot-up sequence, the game will display the Player Menu.
3. The machine has been preset at the factory and therefore should not need to be adjusted, however it is recommended that the screen be calibrated (see **Screen Calibration**) and the coin or bill acceptor(s) be tested.
4. There are many custom settings available for the game. To customize the settings, follow the instructions beginning with the Main Menu section in this manual.

## Game Description

The Megatouch Fusion™ comes housed in an upright cabinet. This model has 3 key-locked compartments: the main bezel door, the rear door and the coin/bill door. It is equipped with a coin mech and/or bill stacker. Optional bill acceptors are also available. This model also has couplers installed in the rear of the game. These are used for future hardware upgrades which include linking and modem capabilities. Each game comes equipped with a wireless USB adapter which can be used to wirelessly link two Ion games together by simply turning the games on. With the addition of a wireless router, up to four games can be linked and the game(s) can also connect to the Internet. The Linksys 802.11B router is recommended. For more information, see **Wireless Setup**.

The rear compartment of the Fusion allows access to storage space for add-on accessories.

### CPU Section

The CPU section is accessible by opening the front bezel. The bezel houses the LCD monitor and the CPU section houses an electronics box which contains the motherboard, I/O board, control board, power supply, hard drive, and the main harness. There is external access to the centronics connector and the counter on the outside of the electronics box. The SETUP and CALIBRATE buttons as well as the security key are located on the control board attached to the front of the electronics box. Pressing the SETUP button will bring you to the Main Menu Screen.

### Coin Mech/Bill Acceptor Cash Box

The coin mech and/or bill acceptor are accessible by opening the front bezel of the cabinet (see Figure 28 for locations). The metal cash box door is key-locked for security purposes.

If your game has a Smiley bill acceptor, there is a lanyard secured to the inside of the cash door. This can be attached to the clip on the left wall of the cabinet when you want to secure the door in the open position. See Figure 28 to locate the clip.

## General Care and Maintenance

**NOTE:** *THIS GAME MUST ONLY BE SERVICED BY QUALIFIED SERVICE PERSONNEL.*

**CAUTION:** *THERE ARE HIGH VOLTAGE PARTS IN THIS GAME. BE CAREFUL WHEN SERVICING THE INSIDE OF THE GAME. GAME SHOULD ALWAYS BE UNPLUGGED BEFORE SERVICING.*

## Touchscreen/Joystick Calibration

### How To Calibrate:

- Find the CALIBRATE button on the control board inside the CPU section, and press it to enter screen calibration mode.
- Touch the center of the first cross that appears. Once you release your finger, a second cross will appear.

**NOTE:** *You must hold your finger on the cross for approximately 2 seconds for the calibration to be recognized.*

- Touch the center of the second cross that appears on the screen.
- Once the second cross is touched and released, another cross will appear on the screen. To test the calibration of the screen, touch the cross with your finger and slowly drag your finger around the screen. The cross should follow your movement.
- Touch the **EXIT** button.

If you have high resolution enabled (it is defaulted on), the game will prompt you to go through the same steps again for high resolution mode.

- The game will then prompt you to calibrate the joystick. Move the joystick as far left as it will go, release the joystick, and then press one of the buttons on the joystick.

**NOTE: The joystick may not appear to be functioning correctly during calibration, but it is important that you continue the calibration steps. After calibration has been completed, it will function properly.**

- Move the joystick as far right as it will go, release the joystick, and then press one of the joystick buttons.
- Move the joystick as far up as it will go, release the joystick, and then press one of the joystick buttons.
- Move the joystick as far down as it will go, then release the joystick and press one of the joystick buttons.
- Then, without touching the joystick, press one of the buttons on the joystick to complete calibration.
- Touch the **EXIT** button.

#### Monitor Adjustment Procedure

For adjusting the settings on our monitors, we suggest following the procedures described below. The vertical/horizontal controls and brightness/contrast controls are located on the monitor control board, attached to the front of the electronics box.

Unlock and open the bezel so the control board is accessible while viewing the monitor. Pressing the button labeled **Menu** on the control board will show the on-screen display on the monitor. Adjust the monitor controls until the screens look as suggested in the following steps. When finished, close and lock the bezel.

1. Set the game to the Checkerz game screen.
2. Adjust the vertical and horizontal size

and vertical and horizontal position to make sure that the game screen fills the monitor screen and that the game screen is centered.

3. Adjust the brightness and contrast controls until the top sets of checkers are a rich red and the bottom set are a dark gray. The feet on the “**Checkerz**” character should be white. (Adjusting the brightness and contrast can also correct for a lack of sharpness.)

#### General Circuit Board Handling Information

Before handling any boards, observe the following procedures:

- Prevent Electro-Static Discharge by:
  1. Storing the boards in the anti-static bags in which they are shipped.
  2. Removing any static charge from your body before handling the boards.
  3. Using a ground strap when handling the boards.
- When plugging in connectors to the board, make sure the connector is inserted straight onto the header and that the connector covers all header pins.
- Do not connect any peripheral device to the board, if the power is still connected to the peripheral or if power is already applied to the board.

**CAUTION:** Be extremely careful when replacing the lithium battery on the motherboard. There is a danger of explosion if the battery on the motherboard is incorrectly replaced. Only replace the battery with the same type recommended by the manufacturer. Dispose of used batteries according to the manufacturer’s instructions.

### Replacing the Marquee

To replace the marquee, first remove the 6 thumbnuts fastening the plastic bezel to the game and remove the plastic bezel. Then, remove the 6 nuts and washers securing the plexiglass sign holder to the bezel, remove the plexiglass and replace the sign.

### Cleaning the Cabinet

- The cabinet should be cleaned with a damp cloth and mild detergent. Always apply the cleaner to the cloth and not directly on the game. Liquids could enter the cabinet and damage electronics inside.

### Cleaning the Joystick

- The joystick should be cleaned with a damp cloth and mild detergent. Always apply the cleaner to the cloth and not directly on the game. Liquids could enter the housing and damage electronics inside.

### Cleaning the Touchscreen Monitor

- The touchscreen glass should be cleaned with a damp cloth and isopropyl alcohol or a *non-ammonia* cleanser. *Do not use any abrasive or vinegar-based cleansers, as they will damage the touchscreen glass.*

**NOTE: DO NOT USE ANY ABRASIVE SOLVENTS, ACID OR VINEGAR-BASED CLEANSERS ON THE MONITOR OR SIDE DECALS. OVER TIME, SUCH CLEANSERS COULD HARM THE TOUCHSCREEN AND ERASE THE DECALS. BE CAREFUL NOT TO USE COMMERCIAL CLEANERS CONTAINING ANY OF THESE SUBSTANCES.**

### Cleaning the Fans and Vents

- The fans and vents should be cleaned of any dust on a regular basis to ensure proper ventilation of the game.
- To ensure proper operation of the game, it is important that all fans are operating correctly and that the airflow is unobstructed. Make sure nothing is placed inside the cabinet or next to the fan vents that would inhibit the flow of air. Also, if any fans are not operating, it is important that they be replaced.

### Watch Dog Timer

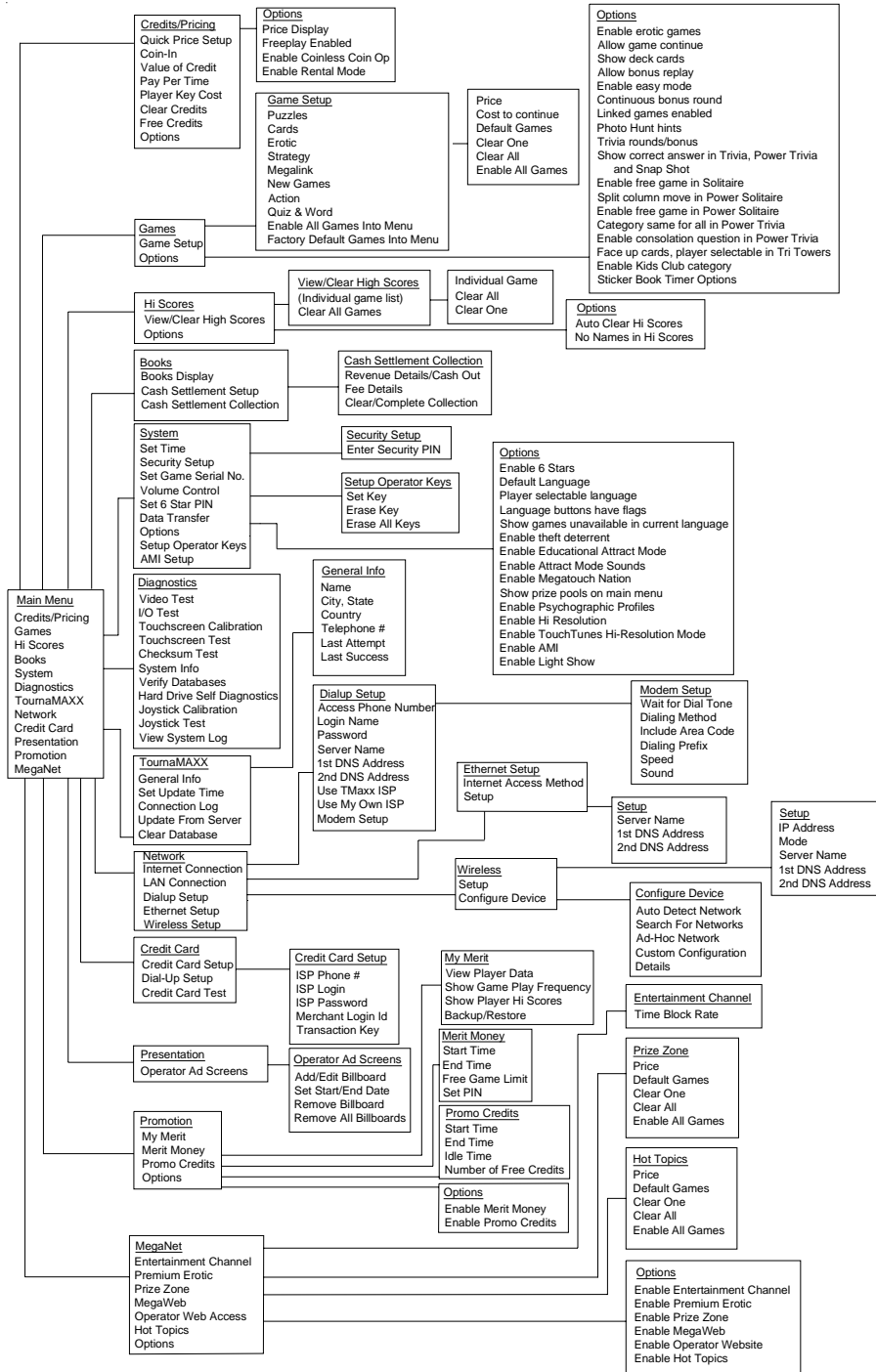
This game has been equipped with a feature that allows it to automatically reboot if it encounters a problem. When the watch dog timer is enabled, it will reboot the machine within 2 minutes after a failure, allowing the game to automatically reset itself if a problem arises without needing a technician present. If you want to disable the watch dog timer, set DIP switch 3 on the I/O board to the open position and reboot the game.

## Game Name and Score Needed for Initial Replay

Solitaire, Power Solitaire, Lone Star, and Super Lone Star will always offer a replay once the listed score is attained. The other games have to reach the score listed as well as attain the high score for the game in order to offer a replay. **NOTE: The available games may vary.**

11 Ball/11-Up	125,000	Monster Madness	400,000
3 Blind Mice	150,000	Moon Drop	160,000
3 Some	150,000	Mystery Phrase	325,000
Air Shot	No Replay	Office Bash	400,000
Astro Joe	120,000	Outer Spades	75,000
Backjammin	125,000	Pharaoh's Fortune	45,000
Battle 31	125,000	Pharaoh's 9	No Replay
Big Time Roller	60,000	Photo Hunt	400,000
Boxdrop	175,000	Pack Rabbit (lon Only)	400,000
Boxglide	475,000	Pile High	No Replay
Boxxi	850,000	Pix Mix	350,000
Breakin' Bricks	400,000	Power Solitaire	55,000
Card/Castle Bandits	200,000	Power Trivia	No Replay
Card/Crypt Raiders	175,000	Puck Shot	3,000
Checkerz	28,000	QB Zone	65,000
Chip Away	125,000	Q-Shot	50,000
Chug 21	250,000	Quik Cell	100,000
Chug Monkey	400,000	Quik Chess	125,000
Coco Loco	No Replay	Quik Match	400,000
Conga Fish (lon only)	No Replay	Quintzee	60,000
Conquest	30,000	Quiz Show	45,000
Crazy Hearts	65,000	Race Poker/Motor Match	No Replay
Decked Out Uno Poker	100,000	Rack 'Em	200,000
Domino5	200,000	Rack 'Em 9 Ball	35,000
Drabble Drop	200,000	Royal Flash	300,000
Euchre Nights	5,000	Run 21	250,000
FastTraxx (lon only)	100,000	Snapshot	400,000
Fast Lane	100,000	Space Crusader (lon only)	No Replay
Feeding Frosty	No Replay	Speed Draw	125,000
Flash 7	125,000	Sticker Book	No Replay
Four Play	1,500,000	Strip Club	No Replay
F.M.V. Boxxi (lon only)	No Replay	Super Lone Star	55,000
Gender Bender	125,000	Super Snubbel	No Replay
Gin Rummy	55,000	Tai Play	240,000
GO-O-O-AL	No Replay	Take 2	110,000
Great Solitaire	45,000	Tennis Ace	No Replay
H2H Gender Bender	No Replay	Texas Hold 'Em	No Replay
H2H Photohunt	No Replay	Tic Tac Trivia	75,000
H2H Safari	No Replay	Tri-Castles	125,000
H2H Trivia	No Replay	Trip Flip	150,000
Hollywood Match	400,000	Tri-Towers	125,000
Hoop Jones	125	Trivia Treasure	No Replay
Hooter	No Replay	Trivia Whiz	No Replay
Jumble	120,000	Tuxedo Run (lon Only)	400,000
Jumble Crosswords	120,000	UNO®	No Replay
Let It Ride Poker	125,000	TV Guide Mini Crossword	50,000
Let It Ride Trivia	125,000	Video Whiz (lon only)	No Replay
Lone Star	45,000	Vinci-Ball	400,000
Lookout	400,000	Wild 8's/Wild Apes	400,000
Luxor	500,000	Word Dojo	375,000
Magic Charms	500,000	Word Fever	155,000
Match'Em Up	200,000	Word Safari	125,000
Mega Bowling	125	Wordserve	200,000
Memoree	300,000	Wordster	100,000
Meteor Shower	200,000	Zip 21	200,000
MGA Champ. Golf	No Replay		
Mini Golf/Crazy Golf	No Replay		
Monkey Bash	No Replay		

## Operator Setup Screens Flowchart



## Main Menu

The Main Menu can be accessed by pressing the SETUP button inside the game. Use the Main Menu to set up all game software options.

**NOTE:** For help with the Options in any menu section, touch the green “?” buttons to bring up a help screen.



FIGURE 1 - MAIN MENU

A summary of the Main Menu functions appears in the following table. For more detail, see the corresponding sections of the manual.

Main Menu	Available Options	Information
<b>CREDITS/ PRICING</b>	<ul style="list-style-type: none"> <li>• Quick Price Setup</li> <li>• Coin-In</li> <li>• Value of a Credit</li> <li>• Coinless Coin Op</li> <li>• Pay Per Time</li> <li>• Options</li> <li>• Player Key Cost (Ion Only)</li> <li>• Clear Credits</li> <li>• Free Credits</li> <li>• AMI Play Cost</li> </ul>	The Credits Screens allow the operator to set credit rules for all games, set up the Coin-In Menu, enable the Coinless Coin Op feature, enable the Rental Mode feature, set the cost to purchase player keys, select freeplay mode, and add or clear credits. Operators with a Mega-Link connection can also set up AMI jukebox play cost.
<b>GAMES</b>	<ul style="list-style-type: none"> <li>• Game Setup</li> <li>• Options</li> </ul>	In the Games Screens, you can edit the game list (choose which games are available and in what category they appear on the Category Menu), and select options for individual games.
<b>HI SCORES</b>	<ul style="list-style-type: none"> <li>• View/Clear Hi Scores</li> <li>• Options</li> </ul>	Touch <b>CLEAR ALL GAMES</b> to clear all high scores or select a particular game to edit high scores for that game.
<b>BOOKS</b>	<ul style="list-style-type: none"> <li>• Books Display</li> <li>• Cash Settlement Setup</li> <li>• Cash Settlement Collection</li> </ul>	The Books Screens display current and lifetime credits information as well as calculate and collect the location and operator fees.
<b>SYSTEM</b>	<ul style="list-style-type: none"> <li>• Set Time</li> <li>• Security Setup</li> <li>• Set Game Serial Number</li> <li>• Volume Control</li> <li>• Set 6 Star PIN</li> <li>• Data Transfer</li> <li>• Setup Operator Keys (Ion Only)</li> <li>• AMI Setup</li> <li>• Options</li> </ul>	Set the game clock, security PIN, serial number, game volume, 6 star PIN and features, and system options such as language control, 6 Star Enable, and theft deterrent. Also use this menu to transfer machine configuration, books data, and ad screens with a USB Pen and program Operator keys to enable access to the setup screens via the key. The AMI Setup option allows operators to establish a Mega-Link between their Megatouch game and an AMI-powered jukebox.

Main Menu	Available Options	Information
<b>DIAGNOSTICS</b>	<ul style="list-style-type: none"> <li>• Video Test</li> <li>• I/O Test</li> <li>• Touchscreen Calibration</li> <li>• Touchscreen Test</li> <li>• Checksum Test</li> <li>• System Info</li> <li>• Verify Databases</li> <li>• Hard Drive Self Diagnostics</li> <li>• Joystick Calibration</li> <li>• Joystick Test</li> <li>• View System Log</li> </ul>	<ul style="list-style-type: none"> <li>• Enters the Video Test screens. Touch the screen to cycle through test.</li> <li>• Tests the function of the I/O board, DIP switches, coin meter and lockout.</li> <li>• Allows the operator to calibrate the touchscreen. Follow the instructions on the screen.</li> <li>• Checks touchscreen calibration. Touch the cursor on the screen to make sure it is accurately following your movement.</li> <li>• Checks the hard drive for missing or corrupted files.</li> <li>• Gives details about various hardware components in the game.</li> <li>• Only use on the advice of Merit Technical Service.</li> <li>• Detects hard drive errors and predicts future failures. Runs automatically during system startup and software installation.</li> <li>• Allows calibration of the joystick. Follow the instructions on the screen.</li> <li>• Checks joystick calibration. Move the joystick and make sure the cursor accurately follows your movement.</li> <li>• Allows operators to easily read, capture and send error log data.</li> </ul>
<b>TOURNAMAXX / TOURNACHAMP</b>	<ul style="list-style-type: none"> <li>• General Info</li> <li>• Connection Log</li> <li>• Set Update Time</li> <li>• Test Connection</li> <li>• Update From Server</li> <li>• Clear Database</li> </ul>	<p>Enters the Tournamaxx / Tournachamp Setup Screen if the game is registered for Tournament play. See the Meganet® Installation Instructions in this manual for more information.</p>
<b>NETWORK</b>	<ul style="list-style-type: none"> <li>• LAN Connection (Ion)</li> <li>• Internet Connection</li> </ul>	<p>Allows you to set up your local area network and also configure your Internet connection settings.</p>
<b>TOURNAMENT</b>	<ul style="list-style-type: none"> <li>• Set Up Tournament</li> <li>• Clear Winners</li> <li>• Reset All</li> </ul>	<p>Replaces TOURNAMAXX button in OFF-LINE mode. Allows you to set up tournaments with prize pools for a dedicated machine. See the Local Tournament Mode section of this manual for more information.</p>
<b>CREDIT CARD</b>	<ul style="list-style-type: none"> <li>• Credit Card Setup</li> <li>• Dial-In Setup</li> <li>• Credit Card Test</li> </ul>	<p>Enters the Credit Card Set-Up Screen if a credit card swipe is installed in your game.</p>
<b>PRESENTATION</b>	<ul style="list-style-type: none"> <li>• Operator Ad Screens</li> </ul>	<p>Create ad screens and also add custom screens created on a personal computer.</p>
<b>PROMOTION</b>	<ul style="list-style-type: none"> <li>• My Merit</li> <li>• Merit Money</li> <li>• Promo Credits</li> <li>• Options</li> </ul>	<ul style="list-style-type: none"> <li>• Enables a feature permitting players to create custom accounts. Also displays individual player data and allows the operator to back up or restore the data.</li> <li>• Sets time periods in which location owners can use the 6 Stars feature to offer free credits to encourage play.</li> <li>• Sets time periods in which the game offers a free credit while in Idle Mode.</li> <li>• Enables My Merit, Merit Money, and Promo Credits features.</li> </ul>
<b>MEGANET</b>	<ul style="list-style-type: none"> <li>• Entertainment Channel</li> <li>• Premium Erotic</li> <li>• Prize Zone</li> <li>• MegaWeb</li> <li>• Operator Web Access</li> <li>• Hot Topics</li> <li>• Options</li> </ul>	<p>Enters the MegaNet Set-Up Screen if the game is registered for Tournamaxx/Tournachamp play. Features must be enabled for the corresponding button to appear. See the Meganet® Installation Instructions in this manual for more information.</p>

## Credits/Pricing Menu

### Quick Price Setup - *This feature is only available in U.S. games.*

Quick Price Setup allows the operator to make general pricing changes without entering the Games Menu.

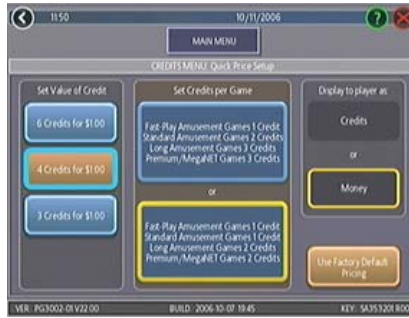


FIGURE 2 - QUICK PRICE SETUP SCREEN

**NOTE:** *If the game is set to 3 or 6 Credits for a Dollar, prices will display as Credits.*

**6 Credits for a Dollar (default setting):** Sets each game to the following price settings:

COIN VALUE	=	CREDITS
\$0.25		1
\$.50		2
\$.75		4
\$1.00		6
\$5.00		30

**4 Credits for a Dollar:** Sets each game to the following price settings:

COIN VALUE	=	CREDITS
\$0.25		1
\$0.50		2
\$0.75		3
\$1.00		4
\$5.00		20

**3 Credits for a Dollar:** Sets each game to the following price settings:

COIN VALUE	=	CREDITS
\$0.50		1
\$0.75		2
\$1.00		3
\$5.00		15

The operator can also use this screen to determine whether prices are displayed to players as credits or monetary amounts, and set the cost of Fast-Play Amusement, Standard Amusement, Long Amusement, and Premium/MegaNET games. Touch the **Use Factory Default Pricing** button to restore default values.

### Coin-In Menu



FIGURE 3 - COIN-IN MENU

Game cost can be controlled two ways: by changing the number of credits required to play a game or by changing the cost of a credit. The Coin-In Menu allows you to adjust the cost of a credit, as well as provide a way to give players “bonus” credits for depositing a higher amount of money. On the Cash-In and Credits Table, the “-” and “+” buttons are used to change the number of credits, while the corresponding price value for the credits is entered by pressing the **Edit** button in that row.

**NOTE:** The “Edit” button will bring up a numbered keypad, limited to 2 decimal places. The Cash-In and Credits Table is ordered, so values must be set in increasing increments from top to bottom of the screen. The final two values, however, can be entered as “0”, which is the equivalent of N/A. As each row on the table is filled in, the “Edit” button will appear for the subsequent row below it.

Similar to the Cash-In and Credits Table, when programming the Channels on the Coin-In Menu, Channel 1 is set for the lowest value coin, Channel 2 for the next highest value, etc. The meter pulse, which is the highest common divisor of all the monetary values of the Channels, is independent of the credits and only tracks the smallest unit of currency. Operators can use this number to

determine the amount of money earned on a game by multiplying the meter pulse by the reading on the hard meter.

**NOTE:** Changing the values of the Channels on the Coin-In Menu may change the meter pulse. Therefore, a Cash Settlement Collection should be performed prior to adjusting the Channels in order to accurately reflect coin drop based on the hard meter reading. Adjusting the Channels will not affect the Cash-In and Credits Table, which performs a separate function on the Coin-In Menu.

To give customers bonus credits for inserting larger denominations, manually adjust the credits earned per dollar value on the Credit and Values Table. Coins may be deposited in any combination of values and the game will automatically register the highest number of credits for the total amount of coins deposited. Once a game is played, any remaining fractional credits are saved and applied to the next purchase.

**NOTE:** It is recommended that if you are enabling bonus credits, that the game be set to display in credits and not money. If the game is set to display in money, all money values will be based on the value of 1 credit, which is typically the most expensive credit.

The type of currency registered can be adjusted by touching the **Change Currency** button at the bottom right-hand corner of the Coin-In Menu. Touching the **Default Settings** button just below it will return the Coin-In Menu to its factory settings. This setting can be adjusted (as described previously), but will return if the game memory is cleared.

### Coinless Coin Op Menu

When enabled via the Options button on the Credits/Pricing Menu, the Coinless Coin Op feature allows the operator to charge on a per-game or per-time basis without players inserting money into the game. The total amount owed after gameplay is tallied by the machine and collected by the location owner. Location owners reset the game with a PIN after collection.

**NOTE: If you have set a tax fee on the Cash Settlement Screens, Coinless Coin Op Mode play will be taxed at the set rate. If you want to set the tax percentage at a different rate for Coinless Coin Op mode and regular mode, you should perform a Cash Settlement Collection, change the tax rate and then switch modes.**



FIGURE 4 - PLAYER MENU IN COINLESS COIN OP (TIME AND PER GAME MODES BOTH ENABLED)

Certain features will not be available in Coinless Coin Op Mode, such as MegaNet content, Merit Money, Promo Credits, Free Credits, TouchTunes® music and AMI jukebox music. Pricing for these features can only be displayed in currency values, not credits.

### Settings

Touching the Settings button allows the operator to choose whether players can play Per Game, Per Time, or both when the game is in Coinless Coin Op mode. Per Time pricing can be changed on this screen with the up and down arrows. The currency amount will apply to each 15-minute time block selected by the customer.

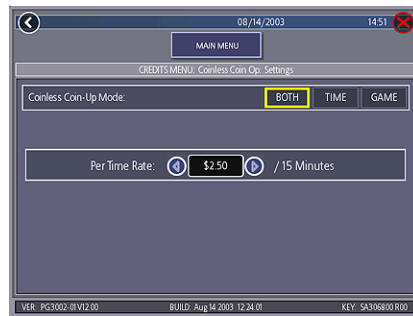


FIGURE 5 - COINLESS COIN OP MENU - SETTINGS SCREEN

### Setting the PIN

Touch the Set PIN button on the Coinless Coin Op Menu to program the PIN. The number can be from 1 to 5 digits.

**NOTE: The Coinless Coin Op PIN can also be set from the Player Menu. Touch the Options button, enter the 6 Star PIN, and touch the CCO Set PIN button.**

### Disabling the Money Inputs

It is recommended that the money inputs be disabled when the game is in Coinless Coin Op mode. Unplug the power and signal harness connected to the bill/note acceptor and the harness connected to the coin mech (if applicable) to disable the inputs.

### Per-Game Mode

When players choose this mode, a running total of the amount owed is maintained and displayed in the CREDITS box on the screen. The total is tabulated after each game or function. The location owner then collects the total amount owed at the end of gameplay. If there is no activity for 10 minutes, the machine will disable and the amount owed by the player will display on screen. No further gameplay can occur until the machine is reset by a location employee using the PIN.

### Time Mode

The price per 15-minute time block will be displayed before players choose this mode. During gameplay, the time remaining and amount owed by the player will be displayed on screen. When the time block runs out, players can purchase additional time. Otherwise, the machine will disable and the amount owed by the player will display on screen. No further gameplay can occur until the machine is reset using the PIN. If the player leaves the game before the purchased time block has ended, the game can be reset using the PIN.

### Resetting or Freezing the Game

The game can be reset at any time using the pre-programmed PIN. Once gameplay totals have been tallied by the machine, the attendant can also choose to freeze the game to prevent more activity until the transaction is complete. The Reset or Freeze buttons are accessible through the Options button on the Player Menu after touching the Coinless Coin Op button. An alarm will begin to sound after 3 failed attempts to enter the valid number when entering the PIN to reset the game. The alarm will terminate when the machine is rebooted, the operator SETUP button is pressed, or the correct PIN is entered.

### Rental Mode

When enabled via the Options button on the Credits/Pricing Menu, Rental Mode allows players to purchase a block of time and use it to play as many games as they want.

To set the value of a credit in Rental Mode, select **Pay Per Time** from the Credits Menu. Touch the arrows on either side of the time interval to adjust the number of minutes of play given for each credit. To disable any row, set the minute value to zero.

### To Enter This Screen, Touch “Pay Per Time” on the Credits Menu



FIGURE 6 - PAY PER TIME SCREEN

Certain features will not be available in Rental Mode, such as MegaNet, Merit Money, Promo Credits and Free Credits. Rental mode is also unavailable with linked games.

**NOTE: It is recommended that you clear the books when toggling Rental Mode on and off in order to ensure accurate bookkeeping.**



## Hi Scores Menu

### View/Clear Hi Scores

Use this menu to manage hi scores. The first screen allows you to clear all scores for all games by touching **Clear All Games**. To edit the hi scores for an individual game, select that game on the first screen.

**To Enter This Screen, Touch “View/Clear Hi Scores” on the Hi Scores Menu and Choose a Game**

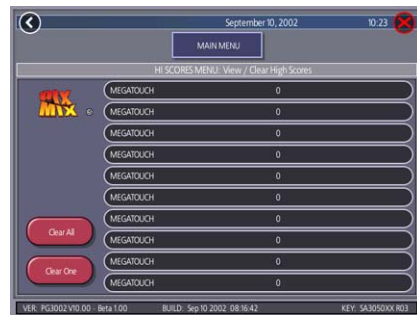


FIGURE 8 - HI SCORES MENU:  
VIEW/CLEAR HI SCORES SCREEN

Touch **Clear All** to remove all hi scores for that particular game or select an individual score and touch **Clear One** to remove that particular score only.

## Books Menu

The Books Screens display the current and lifetime credit totals for each game, as well as the percentage of credits played per game (the percentage for each game is the total number of credits played on that game divided by the total number of credits entered into the machine).

### Books Display

**To Enter This Screen, Touch “Books Display” on the Books Menu**



FIGURE 9 - BOOKS MENU:  
BOOKS DISPLAY SCREEN

The books information can be sorted in three ways with the button that toggles through the sorting categories. **Unsorted** displays the books information in the standard order. **Sorted by Current** displays the current credits for each game from most to least played. **Sorted by Lifetime** displays the lifetime credits for each game beginning with the most played game.

Touch **TournaMAXX Statistics** or **Tournament Statistics** to get the books information for that play only. Touch **Clear Current** to erase all current books data. The date the data was last cleared will appear at the top right of the Books Screen.

Touch the **+** above Total Credits to view Current and Lifetime credits for each game mode. Touch the button again to minimize this screen.

**To Enter This Screen, Touch “Books Display” on the Books Menu and Choose a Game Name**



FIGURE 10 - BOOKS MENU: BOOKS DISPLAY SCREEN WITH GAME SELECTED

Touching a game name will display the current and lifetime credit totals\*, broken into 1-4 player, linked game, and Megatouch Nation plays (Ion only). It also shows the shortest, average, and longest playing times for that game.

**\*Touching Trivia or Power Trivia displays totals by category.**

Books Display also shows coin input data, as well as Promotional Credits, Merit Money, and Coinless Coin Op totals (when these features are enabled). Touch the + above Total Coins to display individual coin input statistics and MegaNet® Credits to display the totals for each MegaNet® category. Touch the button again to minimize this screen.

**NOTE: Books data can be exported to a file USB pen via the System Menu/Data Transfer/Export Books feature. The .data file can then be viewed with a word processing program after connecting the storage device to a personal computer. The file will display basic game information such as the software version, the game serial number, and date/time information relating to books data. The file will also show the current and lifetime credit totals, as well as credit totals for each game featured on the machine.**

**Cash Settlement Setup**

The Cash Settlement Screens are used to calculate the percentage of earnings the operator and location will receive, as well as any fees collected by the operator. This will help to offset MegaNet operation costs.

**To Enter This Screen, Touch “Cash Settlement Setup” on the Books Menu and touch “NEXT”**

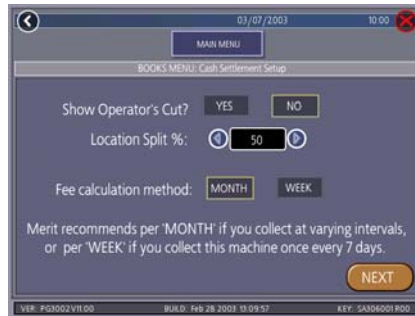


FIGURE 11 - BOOKS MENU: CASH SETTLEMENT SETUP SCREEN

The first screens allow you to set up the Cash Settlement Screen. Choose **YES** or **NO** to display the operator's cut on the Cash Settlement Collection Screen and enter the percentage of revenue the location will receive. Also, select the fee calculation method. Select per month if you do not make regular weekly collections or per week if you collect every 7 days. Then touch **NEXT**.

**NOTE: Monthly fee collections are based on 4.3 week month. If you change your fee calculation method, the game will auto adjust the fees by multiplying or dividing by 4.3 and rounding to the nearest penny.**

**NOTE: Make sure the time and date are set on the game in order to ensure correct fee calculation.**

To Enter This Screen, Touch “Cash Settlement Setup” on the Books Menu and touch “NEXT” Twice



FIGURE 12 - BOOKS MENU:  
CASH SETTLEMENT SETUP SCREEN

The next screen allows you to set up the fees. The amounts can be changed on screen by touching the amount itself and using the keypad to enter a dollar figure. The other two columns display the cumulative totals for each fee and the totals for the current collection period. Fees are calculated on a prorated, per-day basis. Touch the **NEXT** button to display more groups of fees. After setting up the fees, touch **FINISH** to save your changes.

To Enter This Screen, Touch “Cash Settlement Collection” on the Books Menu

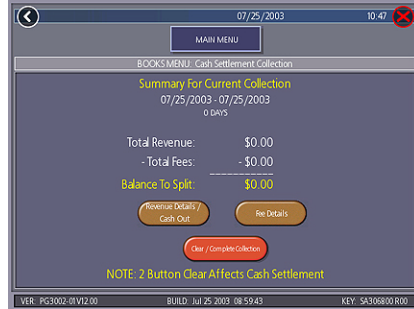


FIGURE 13 - BOOKS MENU:  
CASH SETTLEMENT COLLECTION

### Cash Settlement Collection

The Cash Settlement Collection Screens will display the balance (total revenue minus total fees) to be split between the operator and the location.

Touch **Revenue Details/Cash Out** or **Fee Details** for breakdowns and **Clear/Complete Collection** to finish. Cash Settlement totals will reset once collection is complete.

## System Menu



FIGURE 14 - SYSTEM MENU

<b>Set Time</b>	The Set Time Menu allows you to set both the time and date on the game. Time is shown in 24-hour, "military" time (e.g. 5:00pm = 17:00). Use the up and down arrows to set the time and date.
<b>Security Setup</b>	The operator can set the PIN number and select which of the features (Coin-In Menu, Free Credits, Game Menu, Hi Scores, Books, All Options, and Set 6 Star PIN) will be protected by the PIN. To change the PIN, you must first enter the existing PIN (the default PIN is <b>0000</b> ), then enter a new 4-digit number and touch <b>SET</b> on the keypad. The game will prompt you to re-enter your PIN to confirm. After confirming your PIN, touch the button for each of the features you wish to protect with the PIN.
<b>Set Game Serial Number</b>	Use this screen to enter the game's serial number using the keypad.
<b>Volume Control</b>	Touch the volume control button to adjust the volume up or down. This screen allows you to sample the sound volume without exiting the screen. The on-screen volume control can also be accessed using 6 Stars.
<b>Set 6 Star PIN (only appears if PIN is enabled)</b>	Brings up the Set 6 Star PIN Screen via the Options button on the Player Menu. Set the 6 Star PIN (between one and six digits) using this screen. You can enable this feature and choose which options will be accessible by 6 Stars using the System Menu: Options Screen. Touch an option box under System Menu: Options for on-screen help.
<b>Data Transfer</b>	Transfer information (machine configuration, Books data, My Merit data and ad screens) using a USB Pen.
<b>Setup Operator Keys (Ion only)</b>	Use this screen to program or erase Operator keys to enable or disable access to the setup screens by using the key.
<b>AMI Setup</b>	Use this screen to link a Megatouch game with an AMI-powered jukebox. See <b>Mega-Link Setup</b> section for further details.
<b>Options</b>	For help with the Options in any menu section, touch the option box to bring up a help screen.

## Diagnostics Menu

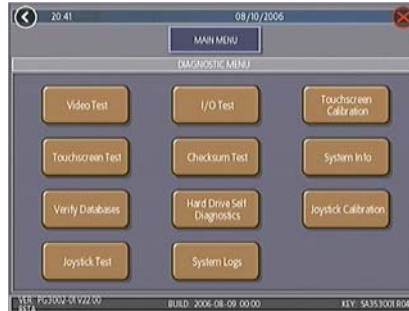


FIGURE 15 - DIAGNOSTICS MENU

<b>Video Test</b>	Touch the screen to cycle through a series of video test screens.
<b>I/O Test</b>	Tests the SETUP and CALIBRATE buttons, all coin channels, the coin meter, and the coin lockout feature (if applicable). A green light next to the appropriate button will register each time that item is tested, and the number next to the item should increment by one with each test. The screen also displays which DIP switches are on or off.
<b>Touchscreen Calibration</b>	Follow the on-screen instructions to calibrate the touchscreen.
<b>Touchscreen Test</b>	Allows you to check the touchscreen calibration accuracy. The crosshairs should follow your finger exactly when you move it across the screen.
<b>Checksum Test</b>	Checks the hard drive for missing or corrupted files. With STOP ON ERROR? set to YES, a message indicating which file is corrupted will be shown whenever the game encounters an error. With STOP ON ERROR? set to NO, a list of corrupted files will be displayed when the test is complete. If errors are detected, the software on the drive may need to be reloaded. If this does not solve the problem, the drive may require replacement. The test could take up to 30 minutes.
<b>System Info</b>	Gives details about the following: <ul style="list-style-type: none"> <li>• platform type</li> <li>• processor type and speed</li> <li>• motherboard type</li> <li>• amount of memory</li> <li>• Ethernet card manufacturer</li> <li>• sound chip type</li> <li>• video chip type</li> <li>• touchscreen manufacturer</li> <li>• hard drive manufacturer/size</li> <li>• modem identification number</li> <li>• fan speed</li> <li>• status</li> <li>• PSOC version</li> <li>• I/O board processor</li> </ul>
<b>Verify Databases</b>	Only use on the advice of Merit Technical Service. An <b>Update from Server</b> must be performed prior to verifying databases.
<b>Hard Drive Self Diagnostics</b>	Checks the hard drive for errors, displays results, and notifies operator when error is detected or hard drive failure is imminent. Tests can be initiated automatically and/or manually.
<b>Joystick Calibration (Ion only)</b>	Follow the on-screen instructions to calibrate the joystick.
<b>Joystick Test (Ion only)</b>	Allows you to check the joystick calibration accuracy. The crosshairs should follow the movement of the joystick.
<b>View System Log</b>	Displays a log of all operations performed by the game since the log was last cleared. This information is helpful for customer service in troubleshooting your game.

## Hard Drive Self Diagnostics

Your Force or Ion hard drive is equipped with the S.M.A.R.T. (Self-Monitoring, Analysis, and Reporting Technology) monitoring system, which helps predict hard drive failure and avoid system crashes by collecting hard drive data and recording errors. The test can be initiated manually, as described below, but also runs automatically when the game is turned on or software is installed. A warning will appear during software installation if there are hard drive issues that may hinder installation or cause damage to the game.

To initiate the test and access the reports, touch **Hard Drive Self Diagnostics** on the Diagnostics Menu. The next screen displays the hard drive S.M.A.R.T. test result as having “PASSED” or “FAILED”, and allows you to show or hide diagnostics details. With the **Show Details** option selected, the screen displays the status of each hard drive attribute being monitored. **Hide Details** shows only the overall test result.



FIGURE 16 - HARD DRIVE SELF DIAGNOSTICS SCREEN

## To Enter This Screen, Touch “Show Details” on the Hard Drive Self Diagnostics Screen



FIGURE 17 - SHOW DETAILS SCREEN

## Reports

Each attribute displayed on the S.M.A.R.T. report will show a grade of “PASSED”, “FAILING NOW” or “FAILED IN THE PAST”, determined by the attribute’s rating in relation to its given threshold. By touching the green “?” to the left of each entry, operators can view the grade and rating of that attribute in the pop-up window. If the rating is above the threshold, the attribute has “PASSED”; if the value is below the threshold, it is “FAILING NOW”; and if the attribute was previously but is no longer below the threshold, it has “FAILED IN THE PAST”. Press **OK** at the pop-up to return to the list of attributes.



FIGURE 18 - ATTRIBUTE RATING POP-UP SCREEN

## Presentation Menu

### Operator Ad Screens

A total of 24 advertising screens can be created with the software and added to the game. The ads will appear along with the other attract screens when the game is in idle mode. Custom images for ad screens can also be added to the game using an appropriate storage device for your game (USB pen or CD). Touch the green ? buttons on each screen for information on how to create ad screens and add custom screens to the machine.

In addition, a program for adding up to 120 additional ad screens can be downloaded from our Web site ([www.meritgames.com](http://www.meritgames.com)) in the Support/Software Downloads section.

FORCE and ION games only: A USB Pen Kit (kit number KAV-100-008-01) is available. To order, contact your local distributor.

### Promotion Menu

The Promotion Menu is designed to encourage player interest. Use the Options button to enable each feature.



FIGURE 19 - PROMOTION MENU

### My Merit

The My Merit feature allows individual players to create custom accounts, accessible via PIN numbers. Accounts can be created by touching the **My Merit** button on the Player Menu or by accepting the option to create an account after achieving a Hi Score.



FIGURE 20 - MY MERIT OPTIONS

Players will then have the choice to log in to their accounts through the My Merit button on the Player Menu and have personal data stored on the machine. Players can view their hi scores and the number of games they've played in the My Merit mode for the last year.

**NOTE: My Merit data will be cleared when a software update is performed. Be sure to back up the data before updating the game. Conversely, backing up data onto the USB pen will also overwrite any existing My Merit data on the USB pen.**

### View Player Data

Touch **View Player Data** after selecting **My Merit** from the Promotion Menu to bring up a list of all players with My Merit accounts. Touching a player's name will bring up the PIN, total number of games played, and date the account was created. The **Show Hi Scores** button will display a list of the games on which the player has the hi score and the score itself. The operator can also reward the player with free credits on the View Player Data Screen.

**Show Game Play Frequency**

This feature shows the number of games played by each My Merit player. The operator can choose whether to display all totals or just those that fall within a certain date range.

**Show Player Hi Scores**

Selecting a game name under this feature will bring up the Hi Scores of each My Merit player for that game, as well as the date the score was achieved. The operator can choose whether to display all Hi Scores or just those that fall within a certain date range.

**Backup/Restore**

My Merit data can be backed up or restored with a USB pen. After connecting a pen to the machine, touch this button to proceed with backing up or restoring all My Merit data. USB pen kits (kit number KAV-100-008-01) are available. To order, contact your local distributor.

**NOTE: Restoring My Merit data from a storage device will erase any My Merit data currently on the game.**

**Merit Money**

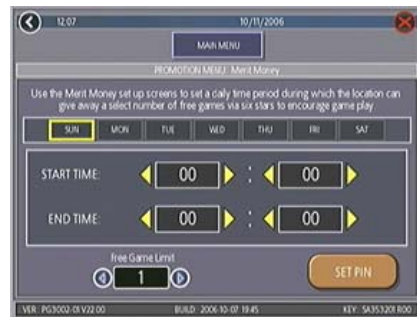


FIGURE 21 - MERIT MONEY SCREEN

The Merit Money screens allow location owners to encourage game play by offering free games (not free credits) at certain

time intervals via the 6 Star feature. Select days of the week, time frames, and the number of free games (1-10 per day) to be awarded, as well as a PIN number for location owners to use in order to access Merit Money using the 6 Stars feature. Location owners can enable Merit Money by entering that specific PIN in the 6 Stars screen. One free game is given away each time the location enters the code until the predetermined daily limit is reached. Free games expire after 10 minutes, when money is deposited into the machine, or when the Merit Money time period comes to an end.

**Promo Credits**

The Promo Credits feature generates interest by offering operator-controlled free credits while the game is in idle mode. Select days of the week, time frames, idle time (number of minutes the game would be in idle mode before free credits are offered) and the number of credits (1-10) to be awarded. A message announcing that free credits are available will appear on the screen during idle mode when Promo Credits go into effect. Promo Credits expire after 10 minutes or when the Promo Credits time period comes to an end.

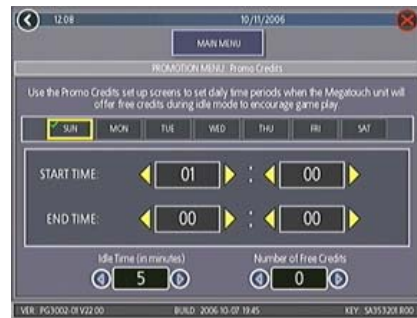


FIGURE 22 - PROMO CREDITS SCREEN

## Megatouch Player and Operator Keys (Ion Games Only)

Megatouch Ion games use player keys to store gameplay and log in information and offer new features to players. Operator keys are used to make it easy for operators to enter setup to service machines.

### Operator Keys

Operator Keys can be programmed to make it possible to access the Main Menu Screen without opening the game. Operator keys (with black handles) are provided with your Ion game. Additional Operator Key Kits (part number KAV-111-002-01) can be purchased from an authorized Merit distributor.

#### To program an Operator Key:

1. Press the SETUP button to enter the Main Menu Screen.
2. Touch **System** on the Main Menu Screen and then touch **Setup Operator Keys**.
3. Touch the Operator Key to the dongle socket on the machine to save the key serial number on the game.
4. Choose a PIN for the key.

**NOTE: The PIN for each operator key can be set to the same number, if desired. Additionally, one key can be used for any number of games.**

Repeat these steps for each Operator Key. Once the key is programmed, simply touch a programmed key to the dongle socket and enter your PIN when prompted. The Main Menu Screen will then display.

Up to 4 different Operator Keys can be programmed on one game. To clear a programmed key, enter setup, touch **System** and then touch **Setup Operator Keys**. Touch the key to the dongle socket, then press the **Erase Key** button.

### Player Keys

The Player Key stores My Merit and Tournament login information and Mega Level game levels and codes by touching the key to the dongle socket. Using a Player Key will also earn players a Megatouch Nation sweepstakes game each month. Players who reach a designated score can enter a drawing for a monthly prize.

Two player keys (with colored handles) are included with your Ion game to give to players to encourage use. Additional Player Key kits can be purchased from an authorized Merit distributor (part number KAV-111-001-01). Players can also purchase keys, for a set number of credits, on connected games. Operators may set the cost of these credits by pressing the SETUP button and then touching the **Credits** button on the Main Menu Screen. Touch **Player Key Cost** and use the arrows above and below the credits to set the cost.

### Megatouch Nation Contest (Available where legal)

**NOTE: Ensure the game clock is set to the correct time, as it will affect Megatouch Nation.**

The operator can charge additional credits to play Megatouch Nation games, if desired. Press SETUP to enter the Main Menu Screen. Touch **System** and then **Options**. Page through the options until you see **Enable Megatouch Nation**. If you want to price these games at a premium, use the arrows next to Game Upcharge to select the additional credits. To disable Megatouch Nation, touch the check next to **Enable Megatouch Nation** to make it disappear.

## AMI Jukebox Mega-Link Setup

In available markets, your Force or Ion Megatouch game(s) may be linked with an AMI-powered jukebox by utilizing the Mega-Link feature, which allows customers to view and play jukebox music selections directly from the Merit touchscreen. To enable the link, you will need a broadband Internet connection, a router and Ethernet cable(s) (if you are not using wireless). It is recommended that you set up and configure your router prior to initiating the Mega-Link. Once the router is configured, follow the instructions below for hardware and software setup.

**NOTE: Some Force games do not support Super High Resolution and thus cannot be linked to a jukebox. These games include Force Radion and Classic, as well as Force conversions from Slim, Select and EZ Maxx models.**

**Additionally, all games linked to a jukebox must be running 2006.5 software (V21) or greater. To determine what version of software your game is running, push the SETUP button inside the cabinet. The program information will be displayed in the lower left corner of the first screen that appears. Following the PG3002 will be the version running on your game.**

**NOTE:** Megatouch games that are connected using the Mega-Link system must have the same level of software for proper operation. The software is designed to detect other levels of software in linked games. If a different level is detected, you will receive a screen that says, "MEGA-LINK MISMATCH CALL ATTENDANT." This screen will be displayed approximately 5 minutes after you turn the games on. To clear the screen and continue playing the games, you must turn the power off, unlink the games, and turn the power back on again. If you want to link these games you must upgrade all games to the same software level.

### Hardware:

1. Ensure that both the jukebox and your Megatouch game are turned off and unplugged before making any connections.
2. Unlock and open the jukebox door to locate the unit's interior router.
3. Insert the Ethernet (Category 5) cable through the access hole in the rear of the jukebox, then connect the cable to the interior router.

**NOTE: If the jukebox is mounted to the wall, it may be necessary to temporarily dismount it to properly run the Ethernet cable.**

4. Connect the other end of the Ethernet cable to your external router.
5. **Wired connections:** Connect a separate Ethernet cable to the Ethernet coupler on the outside of your game, then to the router. Plug in and turn on the jukebox and your game.

**Wireless connections:** Plug in and turn on the jukebox and your game, then continue with step 1 in the **Wireless Setup** section.

### Software:

6. Press the SETUP button.
7. At the MAIN MENU, touch the **Network** button.
8. Next to **Internet Connection**, select the **LAN** option.

9. **Ion games:** Next to **(LAN) Local Area Network Connection**, touch **Ethernet** to advance to the Ethernet Internet Setup Screen. At the Ethernet Internet Setup screen, select **Automatic**.

**FORCE games:** Touch the **Ethernet Setup** button. At the Ethernet Internet Setup screen, select **Automatic**.

**NOTE: If the Automatic connection fails, contact Merit Customer Service to set up a connection using the Manual option.**

10. Touch **MAIN MENU** at the top of the screen. Next touch the **System** button, followed by the **AMI Setup** option.

**NOTE: If the AMI Setup button does not appear, touch the Options button and go to page 4 in Options. Touch the box next to Enable AMI. Then touch the < button and touch AMI Setup.**

11. To enable AMI Music Connectivity, ensure that the Jukebox ID is set to connect automatically. Accept the default values for the Server URL and Agent Name, then touch **Connect**.
12. Enter and confirm the AMI Entertainment username and password created with your initial jukebox account and utilized for Web site access.

**NOTE: If a jukebox is not detected, you will be prompted to manually configure the jukebox information obtained from your jukebox setup screen. On your jukebox, go into "Service", then select the "Diagnostics" and "System Information" options on screen. Enter the MAC Address, exactly as it appears on the jukebox, into the Jukebox ID field on your Megatouch game. (The defaulted Server URL and Agent Name are also listed on the jukebox setup screen.) Once the information is entered, touch "Connect" once again on the AMI Setup screen to proceed.**

13. A "**Connection Successful**" message will appear, followed by an option to enable the AMI link. Touch **YES** to complete the linking process and immediately activate Mega-Link capability. Once the link is established, you may return to the AMI Setup screen to disable, test or view details regarding connectivity.

14. Touch **MAIN MENU** at the top of the screen, then touch **Credits/Pricing**.

15. Touch **AMI Play Cost** to configure the price of music selected from the game. Use the arrows to set the two-digit credit cost (e.g. "02" = 2 credits) for each of the 3 play options: One Song Play, MOD (Music On Demand) Play Cost, and Priority Play (My Song First) Cost.

**NOTE: The cost of one song must be set to a minimum amount of 33¢. If your game is set to one credit is equal to 17¢, each field in the AMI Play Cost Screen must be at least 2 credits in order for the units to link.**

**The same AMI music billing applies for songs selected through the Megatouch game.**

16. Touch the **X** in the upper right side of the screen and confirm you want to exit the setup screens.

### Viewing Jukebox Revenue

To view jukebox revenue from your AMI-enabled Megatouch, use the following procedure:

1. Press the **SETUP** button.
2. Touch **Books**.
3. Touch **Cash Settlement Collection**.
4. Touch **Revenue Details/Cash Out**.
5. Locate the **Jukebox Revenue** data on screen.

## **Wireless Setup (Ion Games Only)**

Each Ion game comes equipped with a wireless USB adapter. Along with a wireless router, the wireless adapter can be used to connect to the Internet and Mega-Link with your AMI-powered jukebox and/or other games. The Linksys 802.11B router is recommended for use with Ion software. In addition to wireless capability for up to 8 Megatouch games, this router features 4 Ethernet ports for wired connections.

The software allows you to configure your own network, should you choose to do so. Follow the steps below to set up your own network.

1. Press the SETUP button.
2. Touch the **Network** button on the MAIN MENU.
3. Touch the **Wireless** button next to **(LAN) Local Area Connection** to advance to the Internet Setup screen.
4. Touch **Configure Device** and then choose from the following options to network your games:

**Autodetect Network:** The system will find and connect to the nearest available wireless network. This is the easiest way to connect.

**Search for Networks:** Looks for all available wireless connections. Select a connection from the list to proceed.

**Secured connection:** Choosing a "locked" device will prompt a key (password) request. If the selection is your own network, use your password to gain access. If not, this indicates an outside wireless network that has been encrypted and is not accessible.

**Unsecured connection:** You will be prompted to enter interface information. Accept the default values, or consult a network advisor to manually configure these settings.

**Ad-Hoc Network:** This is only for linking games, not for connecting to the server for MegaNet or jukebox linking.

***NOTE: If you have chosen Ad-Hoc Network, you will be prompted to enter the SSID (network name). Create a name for your network and enter that same SSID name for all games that you want to link. You will also be required to manually configure these settings; accept the default values or consult a network advisor.***

**Custom Configuration:** Touching this button will prompt the user to enter the SSID (network name) for manual setup of the wireless connection.

***NOTE: Wireless Internet connection does not require Manual Configuration. Only users who have changed the default SSID during router installation should change the SSID. Consult the instructions supplied with your wireless router for more information.***

***NOTE:*** If you have chosen **Custom Configuration**, you will be prompted to enter interface information. We suggest you accept the default values. If you want to manually configure these settings, consult a network advisor.

5. Once you have chosen your network connection, you can touch the **Details** button on the Wireless Device Setup Screen to display the details of the current network. To continue with Jukebox Mega-link Setup, proceed with step 10 in that section.

## Local Tournament Mode

**NOTE:** If you have dual tournament mode and are switching from TournaMAXX to Local Tournament Mode, you will need to perform an “Update From Server” before changing modes. To do so, touch the “Update From Server” button on the TournaMAXX Menu.

To maintain accurate bookkeeping statistics, it is also advised that you perform a Cash Settlement Collection before proceeding to Local Tournament Mode.

**NOTE:** *The transition from TournaMAXX to Local Tournament requires that the game be switched from ON-LINE to OFF-LINE mode. From the System Menu, choose “Options”, then touch the OFF-LINE button. If you are returning to TournaMAXX, you must return to this screen and select ON-LINE.*

### Overview

The Local Tournament is a completely programmable tournament promotion system, allowing players to compete for a prize pool based on the income from premium-priced tournament games. The top three scorers, at the completion of a tournament, are entered into the Winners' List for retention until they claim their prizes. The game can be set to use cash prizes or redemption points depending on local laws.

Up to four tournaments can be programmed to run simultaneously. The settings for each tournament, including game cost, rounds, starting time, ending time and date, duration and prize pool, can be independently programmed to provide maximum flexibility and promotional potential. Each tournament can be further programmed to be a single, repeating tournament game or a sequence of different games, which change for each tournament period.

Players who achieve one of the three high scores during a tournament must enter their name, along with their own personal identification number (PIN). Should they finish as one of the three highest scorers in that tournament, the PIN will be used to ensure positive identification of the player. Provided an attendant is present, prizes may be claimed anytime after the completion of a tournament. Once the prize is awarded, it is noted on the Winners' List and is accounted for in the bookkeeping statistics.

### Programming a Tournament

1. Press the SETUP button.
2. At the MAIN MENU, touch the **Tournament** button.
3. At the TOURNAMENT MENU, touch the **Set Up Tournament** button (see Figure 23) to enter the Tournament Clock Screen.



FIGURE 23 - TOURNAMENT MENU SCREEN

BUTTON ICON	DESCRIPTION
SET-UP TOURNAMENT	Accesses the Tournament Set-Up screens.
CLEAR WINNERS	Enters the Clear Winners screen, which allows you to clear all winners or clear all winners who have been awarded prizes.
RESET ALL	Erases <b>ALL</b> tournament information from the memory of <i>game!</i> This includes <b>ALL</b> prize information!



FIGURE 24 - TOURNAMENT CLOCK SCREEN

4. At the Tournament Clock Screen (see Figure 24) confirm the correct date and time (if the date and/or time is incorrect, set the correct values using the arrows next to each field).
5. Touch the **NEXT** button to enter the Tournament Value of Credit Screen.
6. At the Value of Credit Screen, confirm the correct currency and value of one credit. Select one of the two options presented: **Standardize Value of a Credit** or **Maintain Existing Coin-In Table and Bonus Credits**. To ensure a proper prize pool split, select the standardized setting displayed at left (see Figure 25). By contrast, choosing to maintain bonus credits will misallocate the percentage split specified on the Tournament Setup Screen. This occurs because the prize pool is calculated based on the value of a credit, regardless of the cost of a credit.

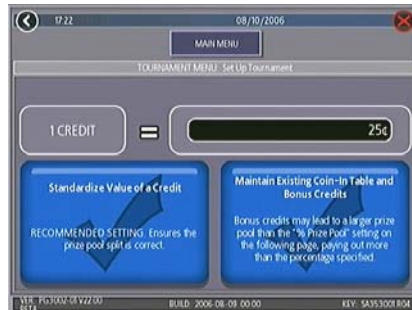


FIGURE 25 - VALUE OF CREDIT SCREEN

**NOTE:** Choosing the standardized setting changes the Coin-In Table by removing bonus credit lines. To restore bonus credits at the conclusion of tournament play, you must reset the Coin-In Table through the Credits Menu.

7. Touch the **NEXT** button to enter the Tournament Setup Screen (see Figure 26).
8. Follow the explanation of each button on the next pages to set up a Tournament.

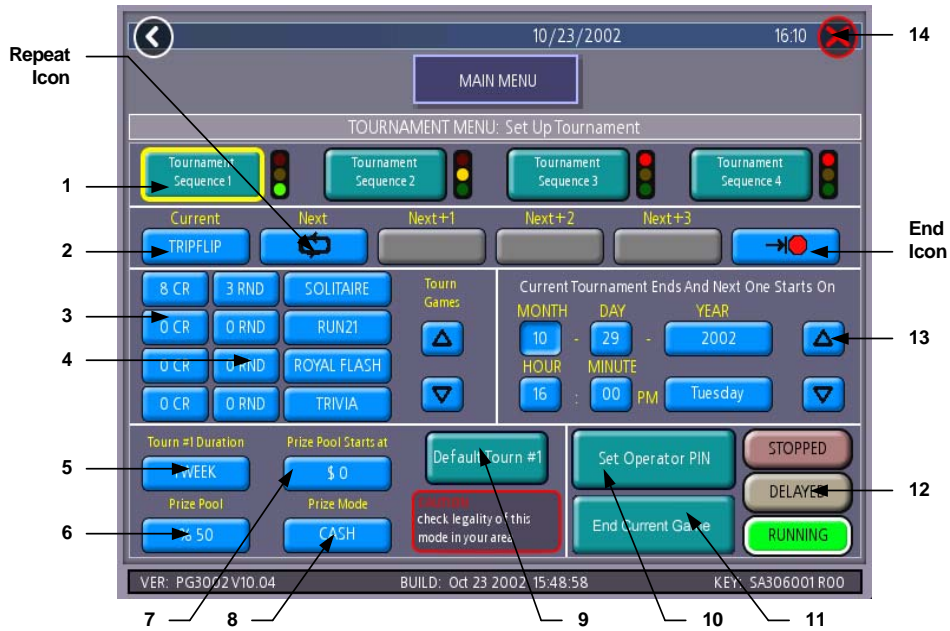


FIGURE 26 - TOURNAMENT SETUP SCREEN  
(EXPLANATION OF BUTTONS CONTINUES ON FOLLOWING PAGE)

1	Tournament Sequence	A programmed sequence of up to 5 tournament games. Touch a "Tournament Sequence #" to program the desired tournament sequence (each tournament sequence is programmed independently).
2	Tournament Game Sequence	To enter a game into the tournament game sequence, touch the desired tournament game sequence field and then touch the game name in the tournament game list. Use the up and down arrows to view all available tournament games. Select the REPEAT icon to have the programmed games repeat their sequence; select the END icon to have the tournament games end after the programmed sequence.
3	Tournament Cost Fields	Touch an individual game price to change the game cost for that specific tournament.
4	Tournament Rounds Field	Touch the tournament round number to toggle the number of rounds for the associated game. Most game rounds can be set from as low as 1 to as high as the default number of rounds.

5	Tournament Duration	Sets duration for tournament games in the displayed Tournament Sequence.
6	Prize Pool	Sets the percentage of the tournament's total coin drop to be used for tournament prizes.
7	Prize Pool Starts At	Allows the operator to start the tournament with cash/points already in the Prize Pool. The pool increases as players deposit coins.
8	Prize Mode	Sets to POINTS or CASH, depending on tournament type. When set to CASH, a message is displayed reminding the user to confirm the legality of cash tournaments in their area.
9	Default Tournament	Touch to reset the default tournament settings for that tournament sequence.
10	Set Operator PIN	Displays the Set Attendant PIN keypad. The operator can set up to four PINs to be used by attendants for awarding prizes. The game will also count the number of times each PIN is used.
11	End Current Game	Ends the current tournament game <i>for the highlighted sequence only</i> .
12	Stopped Delayed Running	This is the last step for programming a tournament sequence.  Status can be toggled to "RUNNING", "DELAYED" or "STOPPED" by touching the associated button. "RUNNING" means the current tournament will start upon returning to the Game Menu Screen; "DELAYED" means the current tournament will start at the programmed time and date. The tournament settings are "LOCKED" for the current tournament after credits have been played for that tournament. WHEN THE STATUS IS "LOCKED," ANY CHANGES TO THESE FIELDS WILL AFFECT THE NEXT TOURNAMENT(S) ONLY.
13	Time and Date Fields	Touch the field you want to change and adjust the value using the UP and DOWN arrows. You cannot set the time earlier than the current time. Tournament play can be set in 10-minute increments past the real time. The tournament will start at the nearest 10-minute interval.
14	X	Exits to the Tournament Setup Screen.



FIGURE 27 - WINNERS' LIST SCREEN

### Awarding Prizes

Players qualify for prizes by finishing with one of the top three high scores for the tournament.

1. To award a prize, access the Winners' List by touching the **Tournament** icon on the Player Menu. Then touch the **CLAIM PRIZE** icon.
2. On the Winners' List Screen, touch the players' name to whom the prize will be awarded (see Figure 27).
3. When the PIN keypad is displayed, an attendant must enter one of the four, pre-programmed attendant PINs.
4. The player then enters their PIN to confirm the awarding of the prize.
5. The attendant must then touch the **PRIZE AWARDED** icon to register the payout.

**NOTE:** *Touching EXIT without touching PRIZE AWARDED will cause the prize award sequence to be aborted. The sequence will have to be repeated to award the prize.*

### Pay Without PIN

If players should forget their PIN, the attendant can press the SETUP button in place of entering the player's PIN. The sequence will continue as though the PIN had been entered. Touch **PRIZE AWARDED** to register the payout.

## DIP SWITCH SETTINGS

The following table provides information on the functionality of the hard DIP switches in Megatouch games. Make sure to read the information in the **Notes** column to determine what is affected when performing these functions. After performing any DIP switch function, make sure to follow the instructions on the screen. In most cases, you will be instructed to reset the DIP switch in order to reboot the game. If you fail to reset the DIP switch before rebooting, it could result in corruption of the hard drive.

**NOTE:** The DIP switch functionality is built into the software. To access the DIP switches through the software: Turn off the game. Set DIP switch 1 to the closed position. Turn power on. When the message **Please reset DIP 1 to proceed** appears, reset DIP 1 to the open position. The Merit diagnostics page will appear. Touch ? for information on DIP switch functionality. Touch the specific DIP switch to activate it. Touch X to exit.

DIP#	Function	Usage/Notes
8	Motherboard configuration & checksum test	<ul style="list-style-type: none"> <li>Configures the CMOS settings on the motherboard to Merit specifications and checks the files on the hard drive.</li> </ul> <p>A checksum test should be performed when the game is locking up or rebooting. If the test fails, the program should be reloaded onto the hard drive. After reloading, perform another checksum test. If it fails again, the hard drive should be replaced.</p>
6	Hardware configuration	<ul style="list-style-type: none"> <li>Identifies system hardware and configures the motherboard.</li> </ul> <p>A hardware configuration occasionally needs to be performed after a kit is installed and the touchscreen is not responding to touch or the calibration is off.</p>
5 & 7	Memory clear for TournaMAXX™ and TouchTunes®	<ul style="list-style-type: none"> <li>Clears the login name, password, access phone number, and all call-in settings for TournaMAXX users.</li> <li>Clears all the loaded albums for TouchTunes users.</li> <li>Clears current books, coin-in, high scores and resets the software options.</li> </ul> <p>A memory clear should be performed when a game is not able to connect to TournaMAXX and there is some question about the information in the Dial-Up Network Screen being correct. After performing a memory clear, TournaMAXX setup information must be re-entered, and an <b>Update From Server</b> should be performed.</p> <p><b>NOTE:</b> TournaMAXX games must perform an <b>Update From Server</b> BEFORE performing a memory clear.</p>
4 & 7	Complete memory clear	<ul style="list-style-type: none"> <li>Clears ALL memory on hard drive including the TournaMAXX player database, TournaMAXX settings, advertising screens, bookkeeping, high scores, coin-in, options, etc. It resets the game to the factory defaults. It also marks bad sectors on hard drive.</li> </ul> <p>A complete memory clear should only be performed when the game is locking up or resetting and it has passed the checksum test. After performing a memory clear, the player database should be reloaded, TournaMAXX setup information must be re-entered, and an <b>Update From Server</b> should be performed.</p> <p><b>NOTE:</b> TournaMAXX games must perform an <b>Update From Server</b> BEFORE performing a complete memory clear.</p>
3	Watchdog Timer (EVO, Elite Edge, Walette and Fusion games)	<ul style="list-style-type: none"> <li>When the watchdog timer is enabled, it will reboot the machine within 2 minutes of a failure, allowing the game to automatically reset itself if a problem arises.</li> </ul>

## CONNECTING A PRINTER (GERMAN GAMES ONLY)

To connect a printer to the game as needed:

1. Unlock and open the front bezel.
2. The printer port is located in the CPU section on the outside of the electronics box. (see Figure 28).
3. When the game enters idle mode, connect the printer to the printer port on the game.

**NOTE: Some printers may cause the game to reboot. Once the game has rebooted and entered idle mode, the printer will begin printing. Do not disconnect the printer until it is finished printing.**

Um einen Drucker an eine Maschine anzuschliessen:

1. Die vordere Blende oeffnen.
2. Der Druckerport befindet sich im CPU-Teil ausserhalb des Elektronikgehäuses. (Siehe Fig.28).
3. Wenn das Geraet in den Leerlauf uebergeht, den Drucker am Druckeranschluss des Geraets anschliessen.

**BEMERKUNG: Bei bestimmten Druckern rebootet das Geraet. Nachdem das Geraet dann in den Leerlauf uebergeht, beginnt der Druckvorgang. Den Drucker bitte nicht abschalten bevor der Druckvorgang beendet ist.**

**Merit Entertainment**  
 Troubleshooting Guide for *Megatouch Ion™ Games*

PROBLEM	CORRECTIVE ACTION
<ul style="list-style-type: none"> <li>• no power</li> <li>• bill acceptor motor does not run</li> <li>• no flash on the monitor screen</li> <li>• no cooling fans operating</li> <li>• no output from power supply</li> </ul>	<ul style="list-style-type: none"> <li>• Check that the power cord is connected to a "live" outlet.</li> <li>• Check that the power switch is on.</li> <li>• Check that the power cord is connected to the game power supply.</li> <li>• Check that the power supply's voltage select switch is set to the proper voltage.</li> <li>• Check the harness connections to the on/off switch and circuit breaker.</li> <li>• Check the circuit breaker for an "open".</li> <li>• Check the A/C harness connection to the power supply.</li> <li>• Check the line cord.</li> </ul>
<ul style="list-style-type: none"> <li>• no video</li> <li>• no cooling fan operation</li> <li>• screen is blank</li> <li>• A/C power to the monitor and bill acceptor</li> <li>• no output from power supply</li> </ul>	<ul style="list-style-type: none"> <li>• Check the power on jumper wire located on the motherboard. It should connect J2 to pin 21 of Panel 1. If this jumper wire is missing or not connected between the correct pins, it may prevent the power supply from turning on. For more information, see Tech Note 52.</li> <li>• Check the D/C harness connection to the motherboard.</li> <li>• Check the A/C harness connection to the power supply.</li> </ul>
<ul style="list-style-type: none"> <li>• no video</li> <li>• cooling fans are working</li> <li>• there is a sound when coins are deposited</li> </ul>	<ul style="list-style-type: none"> <li>• Check the video cable connections to the motherboard and the LCD display (and the monitor control board in EVO and Fusion games).</li> <li>• Check the +12 volt supply voltage to the LCD display (yellow wire +12, black wire ground)</li> <li>• Check the harness connections between the PC boards on the back of the LCD display.</li> <li>• Replace the LCD display.</li> </ul>
<ul style="list-style-type: none"> <li>• no video</li> <li>• constant beeping or a sequence of beeps</li> </ul>	<ul style="list-style-type: none"> <li>• The memory card (DIMM) may not be seated properly. Reseat the DIMM or replace it.</li> </ul>
<ul style="list-style-type: none"> <li>• no video</li> <li>• no sound when coins are deposited</li> </ul>	<ul style="list-style-type: none"> <li>• Check all connections to the motherboard.</li> <li>• Reseat the DIMM.</li> <li>• Replace the motherboard or send it for repair.</li> </ul>
<ul style="list-style-type: none"> <li>• poor picture quality</li> </ul>	<ul style="list-style-type: none"> <li>• Adjust Brightness, Contrast, Horizontal, and Vertical controls with monitor controls.</li> </ul>
<ul style="list-style-type: none"> <li>• coin jam</li> </ul>	<ul style="list-style-type: none"> <li>• Check the coin mech and coin chute for coins blocking the pathway.</li> <li>• Make sure the coin harness is connected between the normally open and common terminals on the coin switch.</li> <li>• Disconnect the bill acceptor and the coin switch one at a time to narrow down the problem.</li> <li>• Check the coin harness for pinched or damaged wires.</li> <li>• Disconnect the coin harness from J1, J3, J7, and J8 of the I/O board. If the coin jam still appears, the I/O board will have to be sent for repair.</li> </ul>
<ul style="list-style-type: none"> <li>• meter not advancing</li> </ul>	<ul style="list-style-type: none"> <li>• Check connection at I/O board.</li> <li>• Check wiring at J2 METER connector on I/O board.</li> </ul>

**Merit Entertainment**  
 Troubleshooting Guide for *Megatouch Ion™ Games continued*

PROBLEM	CORRECTIVE ACTION
<ul style="list-style-type: none"> <li>• <b>game locks up or resets while being played or in the attract mode</b></li> <li>• <b>no movement on the screen</b></li> <li>• <b>power has to be cycled off and on to get the game to function again</b></li> </ul>	<ul style="list-style-type: none"> <li>• Check the output voltages from the power supply:  <b>Enhance SFX 1211J</b>                      Red wire +5 volt                      Yellow wire +12 volt                      Blue wire -12 volt                      White wire +5 volt power good                      Violet wire +5 volt VSB                      Black wire ground                      Brown wire +3.3 volt</li> <li>• Clean the vents and the fans of any dust and dirt that may interfere with airflow.</li> <li>• Clean the CPU cooling fan on the motherboard.</li> <li>• Replace the CPU cooling fan if it is not operating properly.</li> <li>• Reseat the DIMM on the motherboard.</li> <li>• Clear memory with the following procedure:                         <ul style="list-style-type: none"> <li>• Turn off the game.</li> <li>• Press and hold the <b>Setup</b> and <b>Calibrate</b> buttons.</li> <li>• Turn the game on and keep holding the buttons until the screen displays "TWO BUTTON CLEAR DETECTED RELEASE BUTTONS". This should take about 30 seconds.</li> <li>• Release the buttons. This will clear high scores, clear the books and reset options, and reset the game menu and coin menu to their factory settings.</li> </ul> </li> <li>• Perform a checksum test on the hard drive:                         <ul style="list-style-type: none"> <li>• Turn off the game.</li> <li>• Turn on DIP switch 8 on the I/O board.</li> <li>• Turn on the game. The test will take about 10 minutes.                                 <ul style="list-style-type: none"> <li>• A failure will cause the test to stop.</li> <li>• A passed test will display "DRIVE CHECKSUM COMPLETE RESET ALL DIP SWITCHES TO REBOOT MACHINE".</li> </ul> </li> <li>• With power on, turn off DIP switch 8.</li> </ul> </li> </ul>
<ul style="list-style-type: none"> <li>• <b>game locks up with "invalid key for version PG3002 – V XXXX"</b></li> </ul>	<ul style="list-style-type: none"> <li>• Check the program number on the security key. It should be compatible with the program on the hard drive.</li> <li>• Check the contacts on the security key socket. Lift up on the contact on the bottom of the socket and make sure there is a good connection to the base of the security key.</li> <li>• Check the USB cable that connects the I/O board to the motherboard.</li> <li>• Try another security key with the same program number or test the security key in another game with the same program version.</li> </ul>
<ul style="list-style-type: none"> <li>• <b>"INVALID KEY" message while downloading software to the hard drive</b></li> </ul>	<ul style="list-style-type: none"> <li>• If the security key was replaced before the download:                         <ul style="list-style-type: none"> <li>• The motherboard did not boot from the DVD drive.</li> </ul> </li> <li>• Check that the DVD drive is set as master.</li> <li>• Check the ribbon cable connections between the DVD drive and the motherboard.</li> <li>• Try another DVD drive or another set of discs.</li> </ul>

**Merit Entertainment**  
 Troubleshooting Guide for *Megatouch Ion™ Games continued*

PROBLEM	CORRECTIVE ACTION
<ul style="list-style-type: none"> <li>the screen displays MAXX and not ION and the H2H category is missing</li> </ul>	<p>When the game is turned on, it will check the type of touchscreen controller, motherboard and hard drive. If one of these does not match with Ion hardware, the game will power up and display "MAXX" on the screen and it will not have the H2H category.</p> <ul style="list-style-type: none"> <li>Make sure the game is only using ION hardware.</li> </ul>
<ul style="list-style-type: none"> <li>game will not download disc</li> </ul>	<ul style="list-style-type: none"> <li>Make sure the disc is installed correctly, with the logo facing up.</li> <li>Check for scratches or a defective disc.</li> <li>Try a different DVD drive or another disc.</li> <li>If you're downloading a disc set, make sure each disc is of the same revision.</li> </ul>
<ul style="list-style-type: none"> <li>"ERROR READING DRIVE C"</li> </ul>	<ul style="list-style-type: none"> <li>This message can be caused by the hard drive or in some program versions, a coin jam while the game is turned on.                             <ol style="list-style-type: none"> <li>Turn the game off.</li> <li>Locate DS 1, position 8 and turn it on.</li> <li>Turn on power to the cabinet. This will start the hard drive checksum test, which should take about 20 minutes to complete.</li> <li>When the hard drive passes the test it will display a "CHECKSUM GOOD" message and continue to boot up into the game attract screens. This indicates a coin jam.</li> <li>When the hard drive fails the test, the game will lock up with a "CHECKSUM ERROR" message, which will stay on the screen until the power is turned off. In this case, the hard drive will have to be replaced.</li> </ol> </li> </ul>
<ul style="list-style-type: none"> <li>"DISK BOOT FAILURE"</li> </ul>	<p>This message indicates the motherboard is not receiving data from the hard drive and has locked up.</p> <ul style="list-style-type: none"> <li>Check the IDE ribbon cable connections to the motherboard and hard drive.</li> <li>Check the power to the hard drive. It should have +5 volts, +12 volts, and ground.</li> </ul>
<ul style="list-style-type: none"> <li>"QUANTUM FIREBALL, SMART FAILURE DETECTED, BACK UP HARD DRIVE"</li> </ul>	<p>The self-diagnostics on the hard drive has detected an error.</p> <ul style="list-style-type: none"> <li>The hard drive will have to be replaced.</li> </ul>
<ul style="list-style-type: none"> <li>"CRITICAL ERROR ABORT RETRY FAIL" or "BAD COMMAND OR FILE NAME" error</li> </ul>	<ul style="list-style-type: none"> <li>Try reloading the program onto the hard drive with a different set of update discs compatible with the security key. If it will not accept the download, try another DVD drive. If it still does not work, replace the hard drive.</li> </ul>

### Megatouch Ion Fusion™ Diagrams

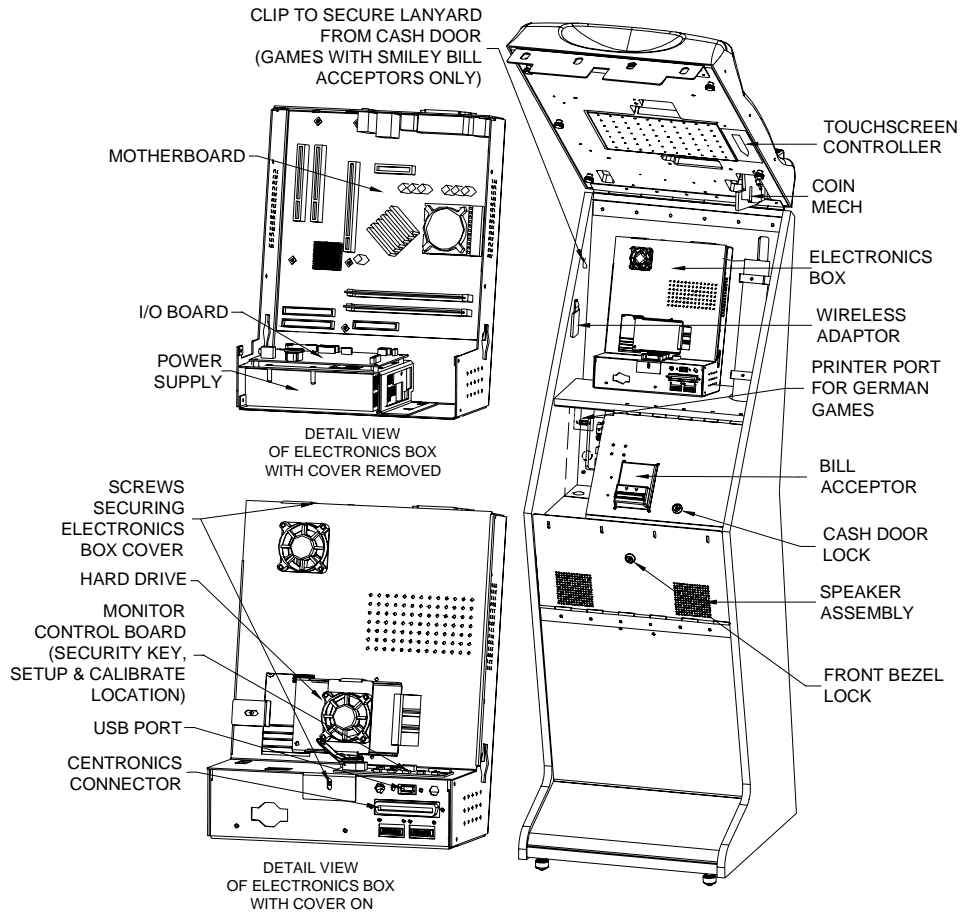


FIGURE 28 - FRONT VIEW OF THE FUSION WITH BEZEL OPEN

### Megatouch Ion Fusion™ Diagrams

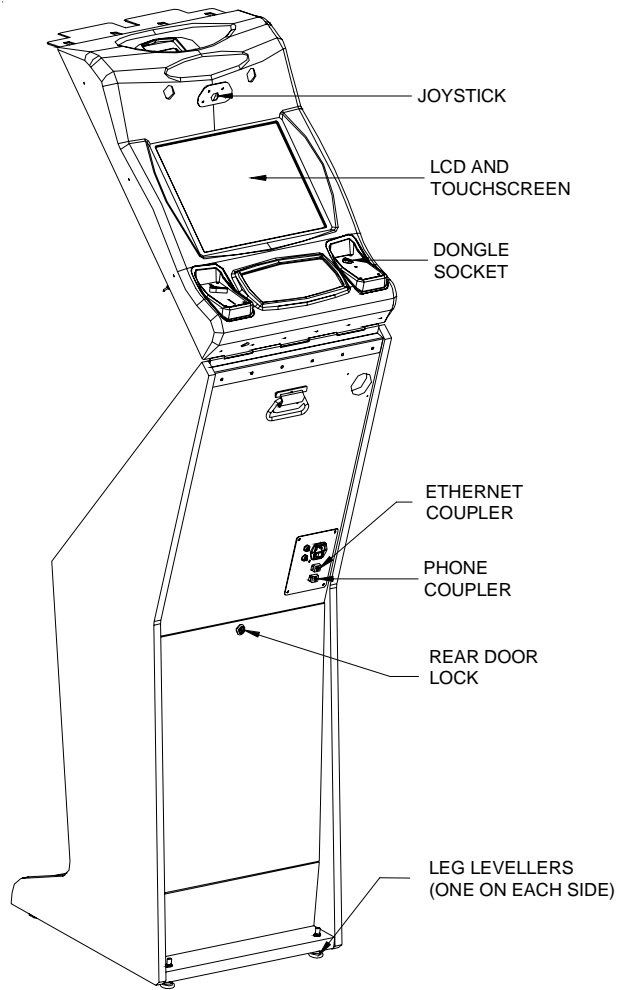


FIGURE 29 - REAR VIEW OF THE FUSION WITH BEZEL OPEN

**Megatouch Ion Fusion™ Replacement Parts List**

<b>REPLACEMENT COMPONENTS ION FUSION UPRIGHT (G21-111-32X-XX)</b>	
<b>PART NUMBER</b>	<b>DESCRIPTION</b>
SA10070-01	ION MOTHERBOARD
EC9796-06	MARS BILL ACCEPTOR. \$1/2/5, 500 STKR, AE2411
HW8249	MECHANICAL COIN MECH
EC7538-02	POWER SUPPLY, 200W ±12,+5,+3.3
EC9851-09	17" TOUCHSCREEN OVERLAY
EC9384-05	17" LCD DISPLAY
EC9846-01	TOUCHSCREEN CONTROLLER
SA10068-03	I/O BOARD
SA10066-01	CONTROL BOARD
SA3522-XX	ION 2007 KEY
PA3028-01	ION 2007 HARD DRIVE

**NOTE:** The parts in your game may vary. When calling for replacement parts, make sure to have your serial number available to ensure the accuracy of your order.

**NOTE:** In order for your Megatouch Ion game to function properly, the hardware must only be replaced with Ion hardware. Replacing the motherboard, I/O board, hard drive or touchscreen controller with hardware that is not specific for Ion will eliminate some of the Ion software features.

For additional assistance, after contacting your distributor, contact:

**Merit Product Support and Services**

USA and Canada call toll-free:

**1-800-445-9353**

Outside the USA and Canada call:

**(215) 639-4700**

**FAX: (215) 639-5346**

Merit Entertainment, P.O. Box 5004, Bensalem, PA 19020-8529.

You can also visit our Web site  
[www.meritgames.com](http://www.meritgames.com)

### Connection Diagrams

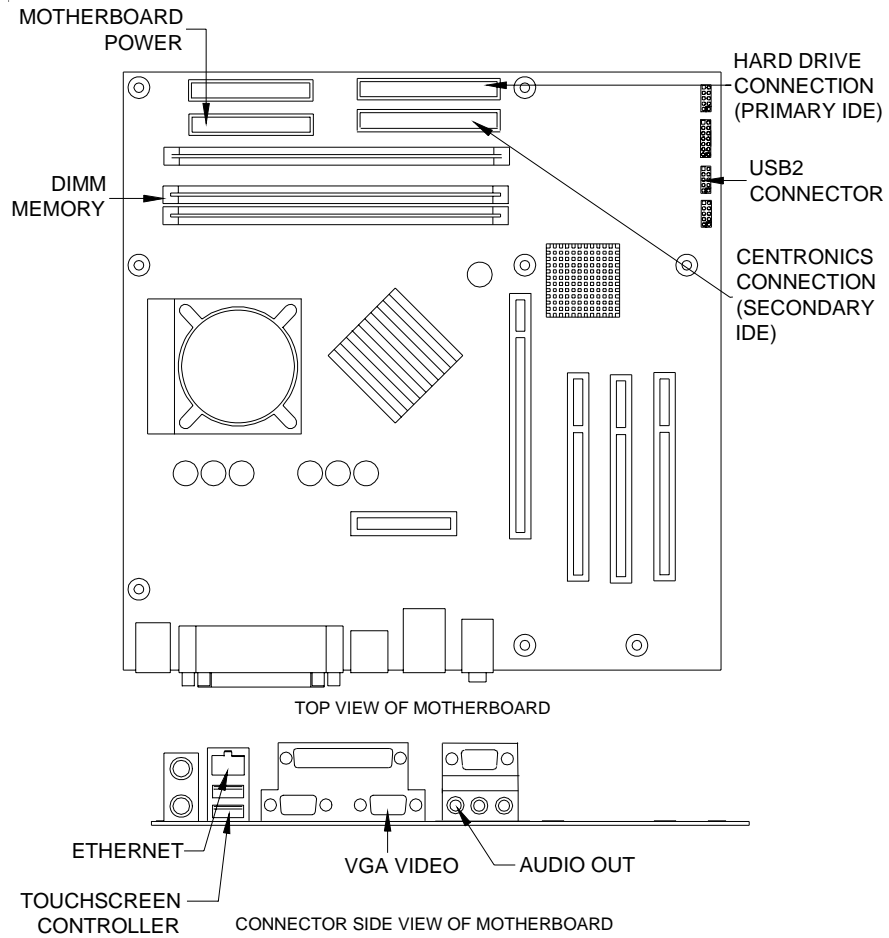


FIGURE 30 - ION MOTHERBOARD DRAWING

## Connection Diagrams

### Motherboard - Power Connector

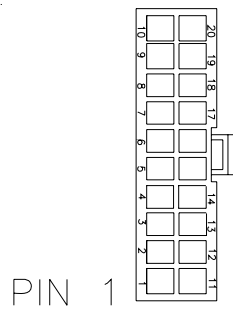


FIGURE 31 - REAR VIEW OF CABLE CONNECTOR

<u>PIN</u>	<u>WIRE COLOR</u>	<u>USE</u>
1	ORANGE	+3.3 VDC
2	ORANGE	+3.3 VDC
3	BLACK	GND
4	RED	+5 VDC
5	BLACK	GND
6	RED	+5 VDC
7	BLACK	GND
8	GRAY	PWR GOOD
9	VIOLET	+5V VSB
10	YELLOW	+12 VDC
11	ORANGE	+3.3 VDC
12	BLUE	-12 VDC
13	BLACK	GND
14	GREEN	PWR ON
15	BLACK	GND
16	BLACK	GND
17	BLACK	GND
18	----	----
19	RED	+5 VDC
20	RED	+5 VDC

Connection Diagrams

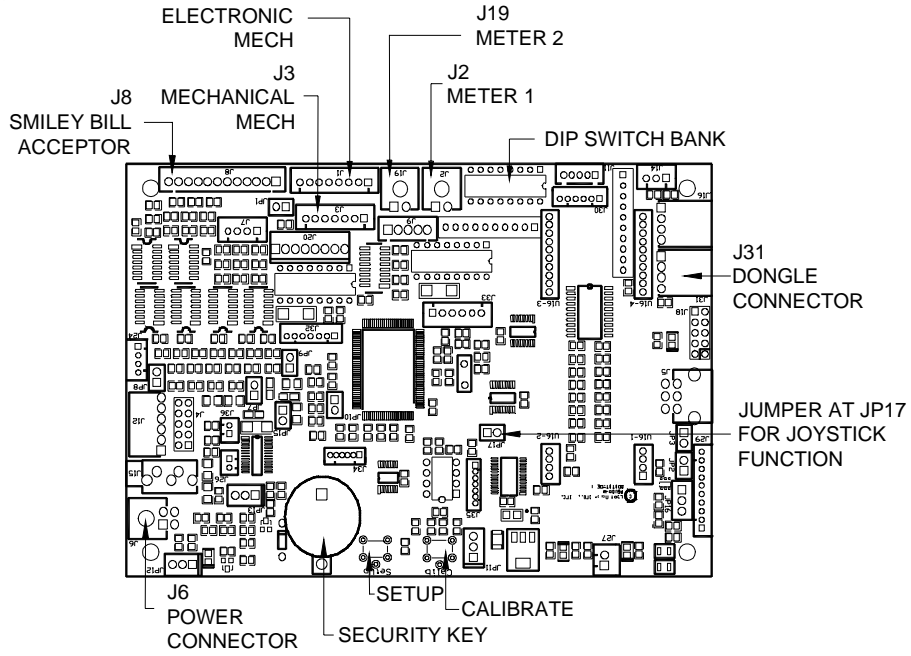


FIGURE 32 - I/O BOARD DRAWING

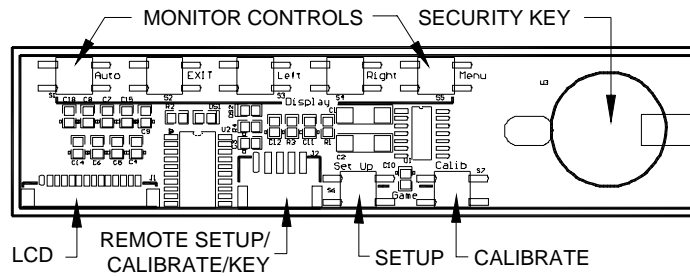


FIGURE 33 - CONTROL BOARD DRAWING

## Merit Video Machine Limited Warranty

Merit Entertainment warrants its video machines to be free from defects in material and workmanship for a period of one year from the date of purchase. The warranty covers all electrical components (except fuses and light bulbs). Certain components have an extended warranty; the touchscreen is warranted for 3 years, the motherboard for 2 years and the hard drive for 30 months.

Failure due to misuse, vandalism, excessive or intentional abuse, operation outside specified conditions (including, but not limited to, improper electrical power source), fire, water damage, acts of God, acts of war and civil unrest are specifically excluded.

Merit products are carefully inspected and thoroughly tested prior to packing and shipment. Any damage discovered upon receipt of goods, whether obvious or concealed, must be reported immediately to the delivering carrier and claims made directly to them. Merit assumes no responsibility for damages once the product has left its facilities and any disputes regarding transportation damage must be resolved with the shipping company(s).

Merit will repair or replace, at its option, any component, part or assembly that fails under warranty, provided that the failed item is returned, shipping charges prepaid, to Merit's repair facility and Merit is notified of the failure within the warranty period. Merit reserves the right to request the serial numbers of the item and/or game which has failed, and copies of sales invoices, bills of lading or other documents as required to determine the validity of the warranty coverage. Merit will return or replace warranty items, as specified above, shipping charges prepaid, by ground transportation.

Merit's obligation shall be limited to repair or replacement as stated above, and shall specifically exclude any liability for consequential damages or loss of earnings.

Merit may, at its discretion, provide replacement parts under warranty prior to receiving defective items, without incurring any ongoing obligation to extend such accommodations.

In certain instances, due to geographical or other considerations, Merit may offer PCB warranty service on an extended time basis as follows:

- (a) User notifies Merit in writing (or FAX) of PCB failure, providing dates of failure, serial numbers and a brief description of failure symptoms.
- (b) Failed PCBs are accumulated for a time period or quantity accumulation, as designated by Merit and sent in one shipment to save shipping expenses.
- (c) Merit honors warranty as per dates of failure notification.

The above terms and conditions constitute the sole obligation, written or implied, of Merit Entertainment under its warranty coverage.

## Merit Industries, Inc. Software License Agreement

Merit Industries, Inc. ("Licensor") is willing to license the enclosed software to you only if you accept all of the terms in this license agreement ("Agreement").

### Ownership of the Software

1. The enclosed Merit® product, which may include but is not limited to the Megatouch® software program ("Software") and the accompanying written materials are owned by Licensor and are protected by United States copyright laws, patent laws and other intellectual property laws, by laws of other nations, and by international treaties.

### Restrictions on Use and Transfer

2. If this Software package contains multiple media types (such as CD's, flash cards, hard drives, etc), then you may use only the type of media appropriate for your Machine. You may not use the other media types on another Machine, or transfer, or assign them to another user except as part of the permanent transfer of the Software and all written materials (as provided for below in paragraph 4).
3. You may make one copy of the software for backup purposes only. You may not copy or make backup copies of any software security key or software security device under any circumstances.
4. You may permanently transfer the right to use the Software and accompanying written materials (including the most recent update and all prior versions) if you retain no copies and the transferee agrees in writing to be bound by the terms of this Agreement. Such a transfer of this license to another party immediately terminates your license. You may not otherwise transfer or assign the right to use the Software, except as stated in this paragraph.
5. You may not operate or allow the operation of the Software at locations where the operation of such Software does not comply with all local, state, and other governmental body laws and regulations. You agree to not use or permit the use of the Software in violation of any U.S. Federal, state, or local laws or regulations or any foreign law or regulation, including laws regarding gaming, gambling or intellectual property rights in or concerning the Software.
6. You may not modify, adapt, translate, reverse engineer, decompile, disassemble the Software or create derivative works from the Software or any component thereof; nor may you remove, modify or hide or otherwise make unreadable or non-viewable any notice, legend, advice, watermark or other designation contained on the Software, component thereof, or output therefrom.
7. You agree that the Software and the authorship, systems, ideas, inventions methods of operation, documentation and other information contained therein, and all versions, modifications and adaptations thereto are proprietary intellectual properties of Licensor and are protected by civil and criminal law, and by copyright, trade secret, trademark and the patent laws of the United States and other countries.

### Limited Warranty

8. Licensor warrants, solely for your benefit, that the Software will function in material conformity, with its accompanying documentation for a period outlined in Licensor's standard product warranty period after your receipt of the Software.

### Licensor's Obligations Under Warranty

9. Licensor's sole obligation under the aforesaid warranty shall be to utilize commercially reasonable efforts to correct or modify such portion of the Software as to make it materially conform with the applicable documentation.

#### Grant Of License

10. Licensor grants to you a limited, non-exclusive license to distribute and/or use one copy of the Software on a single Merit ("Machine") accompanied by a single licensor factory authorized security key. Licensor reserves the right to update versions of the software and the content to the Machine as deemed appropriate by the Licensor. You are entrusted to maintain and protect your single licensor factory authorized security key, password, or other identification from being utilized by any third party, and you agree to be responsible for any use of the Software provided herein by a third party utilizing your identification. Licensor maintains the right to immediately terminate your License for reasons related to misuse or other non-conformity with the rules expressed herein. While Licensor does not routinely inspect Machines, Licensor also reserves the right to inspect or audit the Software from time to time in Licensor's sole discretion. To the extent that Licensor's access to the Software requires that Licensor also gain access to a Machine in which the Software is installed, you agree to promptly provide Licensor, when requested, with permission and aid in Licensor gaining access to the Machine.

#### Disclaimers

11. EXCEPT AS PROVIDED IN THE SECTION ENTITLED "LIMITED WARRANTY", LICENSOR MAKES NO OTHER PROMISES, REPRESENTATIONS OR WARRANTIES, WHETHER EXPRESSED OR IMPLIED, REGARDING OR RELATING TO THE SOFTWARE OR CONTENT THEREIN OR TO ANY OTHER MATERIAL FURNISHED OR PROVIDED TO YOU PURSUANT TO THIS AGREEMENT OR OTHERWISE AND LICENSOR SPECIFICALLY DISCLAIMS ALL IMPLIED WARRANTIES OF MERCHANTABILITY AND FITNESS FOR A PARTICULAR PURPOSE WITH RESPECT TO SAID MATERIALS OR THE USE THEREOF. TO THE MAXIMUM EXTENT ALLOWABLE BY LAW THE UNIFORM COMMERCIAL CODE OR OTHER UNIFORM LAWS SHALL NOT APPLY TO THIS AGREEMENT.

#### Limitation on Liability

12. IN NO EVENT SHALL LICENSOR BE LIABLE UNDER ANY CLAIM, DEMAND OR ACTION ARISING OUT OF OR RELATING TO THE SOFTWARE, ITS USE, INSTALLATION OR LICENSOR'S PERFORMANCE OR LACK THEREOF UNDER THIS AGREEMENT FOR ANY SPECIAL, INDIRECT, INCIDENTAL, EXEMPLARY OR CONSEQUENTIAL DAMAGES, WHETHER OR NOT LICENSOR HAS BEEN ADVISED OF THE POSSIBILITY OF SUCH CLAIM, DEMAND OR ACTION. IN ADDITION, WITHOUT LIMITING THE FOREGOING, IN ALL EVENTS THE REMEDIES AVAILABLE TO YOU SHALL BE LIMITED TO THE AMOUNT PAID BY YOU TO LICENSOR FOR THE SOFTWARE.
13. IN NO EVENT WILL LICENSOR BE LIABLE TO YOU FOR DAMAGES, INCLUDING ANY LOSS OF PROFITS, LOST SAVINGS, OR OTHER INCIDENTAL OR CONSEQUENTIAL DAMAGES ARISING OUT OF YOUR USE, MISUSE, BREACH OF THIS AGREEMENT OR INABILITY TO USE THE SOFTWARE.

#### General

14. The validity and construction of this Agreement and of the rights and obligations herein shall be determined and governed by the laws of the State of New York. By accepting the terms of this Agreement, you acknowledge and accept that the courts of New York, New York shall have exclusive jurisdiction and venue regarding any disputes arising with regard to this Agreement or arising out of activity or misuse of the Software.
15. Merit, in its sole discretion, may assign this agreement or any of its rights and obligations hereunder.
16. If you have any questions concerning this Agreement or wish to contact Licensor for any reason, please write: Merit Industries, Inc., 2525 State Road, Bensalem, PA 19020, USA.

## Contrat de licence de logiciel de Merit Industries, Inc.

Merit Industries, Inc. (ci-après le "Concédant") est disposé à vous accorder la licence d'utilisation du logiciel ci-inclus, à condition que vous vous engagiez à respecter tous les termes, clauses et conditions du présent contrat de licence (Contrat).

### Droit de Propriété

1. Le produit Merit ci-joint contenant, mais ne s'y limitant pas, le logiciel Megatouch™ (ci-après le "logiciel") et toute la documentation écrite, restent la propriété du Concédant et sont protégés par : les lois de droits d'auteur des Etats-Unis, les lois s'appliquant aux brevets déposés et à la propriété intellectuelle, ainsi que par celles des autres pays et les traités internationaux.

### Restriction d'Utilisation et Transfert

2. Si le présent logiciel comprend plusieurs types de composants (tels que CD-ROM, cartes flash, disques durs, etc), vous ne pouvez utiliser que ceux qui conviennent à votre appareil. Il est strictement interdit de les utiliser sur un autre appareil, les transférer -ou les céder à un autre utilisateur, sauf en cas de transfert permanent du logiciel et de toute la documentation écrite (comme indiqué ci-dessous au paragraphe 4).
3. Il est interdit de copier le logiciel, à l'exception d'une copie de sauvegarde. Il est aussi interdit de reproduire -ou faire des copies de sauvegarde des programmes de clé de sécurité ou autres fichiers de sécurité, quelles que soient les circonstances.
4. Vous pouvez céder en permanence à un tiers -le droit d'utiliser le LOGICIEL et toute la documentation écrite l'accompagnant, (ainsi que la plus récente mise à jour et toutes autres anciennes versions) seulement si vous n'en gardez aucune copie, et si le cessionnaire s'engage, par écrit, à respecter les termes, clauses et conditions du présent Contrat. Cette cession à un tiers met fin à votre licence immédiatement. Autrement, vous n'avez pas la permission de transférer ou d'accorder à un tiers le droit d'utiliser le présent logiciel, excepté que tel que décrit dans le présent paragraphe.
5. Il est interdit d'utiliser le présent logiciel ou de permettre son utilisation dans des emplacements où l'utilisation du présent logiciel n'est pas conforme aux lois et réglementations locales, nationales ou réglementations d'autres organismes gouvernementaux. Vous acceptez de ne pas utiliser ou d'autoriser l'utilisation du logiciel d'une manière enfreignant les lois ou réglementations s'appliquant à la propriété intellectuelle et au jeu, en vigueur aux Etats-Unis ou dans les autres pays du monde, y compris les lois de l'ensemble du logiciel.
6. Il est interdit de modifier, adapter, traduire, démonter, décompiler, désassembler le logiciel ou créer du matériel dérivé du logiciel ou de tout composant de celui-ci ; vous ne pouvez pas enlever, modifier ou cacher ou rendre illisible ou non-visible toute instruction, légende, information ou filigrane ou autre désignation qui apparaît dans le logiciel, composant dudit logiciel ou résultant dudit logiciel.
7. Vous convenez que le logiciel et les droits d'auteur, les systèmes, les idées, les inventions, les méthodes d'utilisation, la documentation et autre information incluse, ainsi que toutes les versions, modifications et adaptations qui s'y rattachent sont les propriétés intellectuelles du Concédant et sont protégées par le droit civil et pénal et par le droit d'auteur, le secret commercial, la marque déposée et le brevet aux Etats-Unis et dans les autres pays du monde.

### Limite de Garantie

8. Le Concédant garantit seulement à votre intention, que le logiciel permettra une utilisation conforme, avec la documentation l'accompagnant, pendant la période de temps indiquée dans la période de garantie du produit standard du Concédant, à compter de la date de livraison du logiciel.

### Responsabilité du Concédant aux termes de la Garantie

9. La seule obligation du Concédant aux termes de la garantie susmentionnée sera de faire tous les efforts commercialement raisonnables pour corriger ou modifier la partie du logiciel pour le rendre matériellement conforme aux spécifications de la documentation.

Concession de Licence

10. Le Concédant vous accorde le droit d'utiliser une seule copie par appareil Merit (ci-après "Appareil") accompagné d'une seule clé de sécurité autorisée en usine et fournie par le Concédant. Le Concédant se réserve le droit de mise à jour des versions du logiciel et du contenu de l'Appareil, quand il juge nécessaire de le faire. Il vous appartient également d'empêcher que les mots de passe ou autres codes et la clé de sécurité soient utilisés par un tiers. Vous acceptez d'assumer la responsabilité dans le cas de l'utilisation du logiciel par un tiers. Le Concédant se réserve le droit de résilier votre contrat de licence à tout moment dans l'éventualité d'une utilisation non-conforme aux clauses stipulées. Bien que le Concédant ne contrôle pas les appareils périodiquement, il se réserve toutefois le droit de contrôler le logiciel à tout moment et sans préavis de sa part. De surcroît, dans l'éventualité où le logiciel n'est accessible qu'à travers la machine dans laquelle il est installé, le licencié s'engage à donner libre accès au Concédant, ou ses représentants, à la machine et dans les plus brefs délais.

Exclusion de toute autre garantie

11. EXCEPTÉ COMME PRÉVU DANS LA SECTION INTITULÉE "LIMITE DE GARANTIE", LE CONCEDANT N'ASSURE AUCUNE AUTRE GARANTIE DE QUELQUE NATURE ET A QUELQUE TITRE QUE CE SOIT, EXPLICITE OU IMPLICITE, EN RAPPORT AVEC LE LOGICIEL ET LES COMPOSANTS QUI L'ACCOMPAGNENT OU, LE CAS ÉCHÉANT, TOUT SUPPORT OU MATÉRIEL FOURNI CONFORMEMENT AU PRÉSENT CONTRAT EN PARTICULIER, LE CONCEDANT NE PEUT DONNER AUCUNE GARANTIE, DE QUELQUE NATURE QUE CE SOIT, POUR LA COMMERCIALISATION DE TOUS LES PRODUITS EN RAPPORT AVEC LE LOGICIEL OU AVEC L'UTILISATION DE CELUI-CI. DANS LA MESURE OU CELA EST PERMIS PAR LA LOI, LE CODE UNIFORME COMMERCIAL OU AUTRE LOI UNIFORME NE S'APPLIQUE PAS AU PRÉSENT CONTRAT.

Limite de Responsabilité

12. LE CONCEDANT NE SERA EN AUCUN CAS RESPONSABLE DE TOUTE RECLAMATION, DEMANDE OU ACTION RESULTANT DE OU EN RAPPORT AVEC LE LOGICIEL, SON UTILISATION OU SON INSTALLATION, OU LA PERFORMANCE OU MANQUE DE PERFORMANCE DU CONCEDANT EN VERTU DU PRÉSENT CONTRAT POUR TOUS DOMMAGES D'UNE NATURE QUI N'EST PAS PRÉSUMÉE PAR LA LOI ET QUI DOIVENT ÊTRE EXPRESSEMENT PROUVÉS, DOMMAGE INDIRECTS, DOMMAGES-INTÉRÊTS POUR PRÉJUDICE MORAL, QUE LE CONCEDANT AIT ÉTÉ AVISÉ OU NON DE LA POSSIBILITÉ D'UNE TELLE RECLAMATION, DEMANDE OU ACTION. DE PLUS, SANS LIMITER CE QUI PRÉCÈDE, LES DÉDOMMAGEMENTS À VOTRE DISPOSITION SERONT LIMITÉS AU MONTANT QUE VOUS AUREZ PAYÉ AU CONCEDANT POUR LE LOGICIEL.
13. LE CONCEDANT NE SERA EN AUCUN CAS RESPONSABLE : D'UNE RUPTURE DE CONTRAT, DES DOMMAGES, Y COMPRIS TOUTE PERTE DE PROFIT, PERTES D'ÉCONOMIE OU TOUS AUTRES DOMMAGES INDIRECTS OU DOMMAGES-INTÉRÊTS ACCESSOIRES DÉCOULANT DE LA MAUVAISE UTILISATION OU DE L'IMPOSSIBILITÉ D'UTILISATION DU LOGICIEL.

Dispositions Générales

14. La validité et la construction du présent Contrat et les droits et obligations ci-inclus seront déterminés et régis par les lois de l'état de New York aux États-Unis. En acceptant les dispositions du présent contrat, vous acceptez également que tous litiges ou revendications relatives seront réglés par voie d'arbitrage par un tribunal de l'état de New York, aux États-Unis.
15. Merit Industries se réserve le droit de transférer le présent Contrat à un tiers ainsi que ses droits et obligations ci-après.
16. Pour toutes questions concernant le présent Contrat -ou si vous désirez contacter le Concédant pour une raison quelconque, veuillez écrire à : Merit Industries, Inc., 2525 State Road, Bensalem, PA 19020, États-Unis.

## Merit Industries, Inc. Softwarelizenzabkommen

Merit Industries, Inc. („Lizenzgeber“) ist nur dann bereit Ihnen eine Lizenz für die beiliegende Software zu erteilen, wenn Sie alle Bestimmungen dieses Lizenzabkommens („Abkommen“) akzeptieren.

### Eigentumsvorbehalt der Software

1. Das beiliegende Merit®-Produkt, welches das Megatouch® Softwareprogramm („Software“) beinhalten kann, aber nicht darauf beschränkt ist, und die schriftlichen Unterlagen sind Eigentum des Lizenzgebers und sind durch die Gesetze der Vereinigten Staaten und anderer Länder und durch internationale Verträge urheberrechtlich geschützt.

### Beschränkungen im Gebrauch und Transfer

2. Sollte diese Softwarelieferung mehrere Medien enthalten (z.B. CD, Karten, Festplatten usw.), dürfen Sie nur die für Ihre Maschine angebrachte Medienart verwenden. Die anderen Medienarten dürfen nicht auf anderen Maschinen verwendet werden oder an Dritte übergeben werden, abgesehen von einem endgültigen Transfer der Software und aller schriftlichen Unterlagen (wie im untenstehenden Paragraphen 4 beschrieben).
3. Sie dürfen nur eine Sicherungskopie der Software herstellen. Unter keinen Umständen dürfen Sie einen Softwaresicherungsschlüssel oder Sicherungsmaßnahmen kopieren oder davon Sicherungskopien herstellen.
4. Sie dürfen das Nutzungsrecht für die Software und die schriftlichen Unterlagen (einschließlich der aktuellen Version und aller vorhergehenden Versionen) an Dritte übertragen, wenn Sie keine Kopie behalten und wenn der Empfänger die Bestimmungen dieses Abkommens in schriftlicher Form akzeptiert. Bei einem solchen Transfer der Lizenz an Dritte erlischt Ihre Lizenz umgehend. Abgesehen von den Bestimmungen dieses Paragraphen sind alle anderen Transfers oder Übertragungen der Nutzungsrechte für diese Software unerlaubt.
5. Sie dürfen die Software nicht benutzen oder eine Nutzung gestatten, wenn eine solche Nutzung der Software irgendwelche Gesetze und Verordnungen der kommunalen oder staatlichen Behörden verletzen würde. Sie verpflichten sich die Software nicht so zu nutzen oder nutzen zu lassen, dass sie damit gegen staatliche, Bundes- oder Lokalgesetze oder Bestimmungen der USA oder gegen ausländische Gesetze oder Bestimmungen, einschliesslich aller Gesetze bezüglich Glücksspiels, Spielens oder geistigen Eigentumsrechts der Software, verstossen.
6. Es ist Ihnen nicht gestattet, die Software abzuändern, zu verändern, zu übersetzen, rückumzuwandeln, zu dekompileieren oder zu zerlegen, oder aus der Software oder eines Teils davon andere Werke abzuleiten. Sie dürfen auch aus der Software, einem Bestandteil der Software oder aus den Datenausgaben der Software keine Hinweise, Bemerkungen, Ratschläge, Wasserzeichen oder andere Markierungen entfernen, verändern, verbergen oder auf andere Art unlesbar machen.
7. Sie akzeptieren, dass die Software und die Urheberschaft, die Systeme, die Ideen, Erfindungen, die Arbeitsweisen, die Dokumentation und alle anderen darin enthaltenen Informationen und alle Versionen, Veränderungen, und Bearbeitungen davon das geistige Eigentum des Lizenzgebers sind, und dass sie durch Straf- und Zivilgesetzgebung und durch die Copyright-, Geschäftsgeheimnis-, Warenzeichen- und die Patentgesetze der Vereinigten Staaten und anderer Länder geschützt sind.

### Beschränkte Garantie

8. Der Lizenzgeber garantiert zu Ihren Gunsten, dass die Software für die angegebene normale Garanzzeit des Lizenzgebers nach Ihrer Annahme der Software in erheblicher Übereinstimmung mit der beiliegenden Dokumentation laufen wird.

### Verpflichtung des Lizenzgebers im Rahmen der Garantie

9. Die ausschließliche Pflicht des Lizenzgebers im Rahmen der vorstehenden Garantie besteht darin, alle geschäftlich vertretbaren Schritte zu unternehmen, um Teile der Software zu berichtigen oder abzuändern, bis sie mit der beiliegenden Dokumentation erheblich übereinstimmen.

Übertragung der Lizenz

10. Der Lizenzgeber gewährt Ihnen eine beschränkte, nicht-ausschliessbare Lizenz zur Vertreibung und/oder Benutzung einer Kopie der Software auf einem einzelnen Merit™ („Gerät“) mit einem einzelnen werksmäßig gestatteten Sicherheitsschlüssel. Der Lizenzgeber behält sich das Recht vor, nach eigenem Ermessen die Software und den Inhalt der Maschine zu verbessern. Sie sind dafür verantwortlich ihren individuellen, vom Lizenzgeber werksmäßig gestatteten Sicherheitsschlüssel, ihr Passwort oder anderweitigen Identifikationsmechanismus instandzuhalten und abzusichern gegen die Nutzung durch eine dritte Partei, und sie akzeptieren die Verantwortung für jegliche Nutzung der besagten Software durch eine dritte Partei mithilfe ihres Identifikationsmechanismus. Obwohl der Lizenzgeber nicht regelmässig Maschinen inspiziert, behält sich der Lizenzgeber das Recht vor, ihre Lizenz umgehend zu kündigen aus Gründen des Missbrauchs oder bei Nichtbefolgung der Bestimmungen in diesem Vertrag. Der Lizenzgeber behält sich ebenfalls das Recht vor, die Software von Zeit zu Zeit nach eigenem Ermessen zu inspizieren oder zu überprüfen. Im Falle, dass der Lizenzgeber Zugang zu dem Gerät wünscht, in dem besagte Software installiert ist, erklären Sie sich bereit, dass sie dem Lizenzgeber, wenn nötig, Erlaubnis und Hilfe beim Zugang zum Gerät verschaffen.

Beschränkungen

11. ABGESEHEN VON DEN BESTIMMUNGEN DES PARAGRAPHEN „BESCHRÄNKTE GARANTIE“ GIBT DER LIZENZGEBER KEINE SONSTIGEN VERSPRECHEN, VERPFLICHTUNGEN ODER GARANTIEEN, OB AUSDRÜCKLICH ODER STILLSCHWEIGEND, FÜR DIE SOFTWARE ODER IHRE BESTANDTEILE ODER FÜR ALLE ANDEREN MATERIALIEN, DIE IHNEN IM RAHMEN DIESES ABKOMMENS ZUR VERFÜGUNG GESTELLT ODER ÜBERLASSEN WERDEN, UND DER LIZENZGEBER LEHNT AUSDRÜCKLICH ALLE ANSPRÜCHE AUF MARKTFÄHIGKEIT UND EIGNUNG DER BESAGTEN MATERIALIEN FÜR DEN GEWÖHNLICHEN GEBRAUCH AB. SOWEIT GESETZESMÄSSIG ZUGELASSEN, SOLLEN DIE HANDELSRECHTLICHE GESETZGEBUNG AUS DEM UNIFORM COMMERCIAL CODE ODER ANDERE GESETZE AUF DIESES ABKOMMEN NICHT ANWENDBAR SEIN.

Haftungsbeschränkung

12. DER LIZENZGEBER HAT KEINERLEI HAFTUNG BEI EINEM ANSPRUCH, EINER FORDERUNG ODER EINER KLAGE, DIE AUF NUTZUNG DER SOFTWARE, DEREN INSTALLIERUNG, DER LEISTUNG DES LIZENZGEBERS ODER DESSEN VERSAGEN IM RAHMEN DIESES ABKOMMENS FÜR JEGLICHE FOLGE-, INDIREKTE, SONDER- ODER NEBENSCHÄDEN BERUHEN, SELBST WENN DER LIZENZGEBER AUF DIE MÖGLICHKEIT EINES SOLCHEN ANSPRUCHES, EINER FORDERUNG ODER EINER KLAGE HINGEWIESEN WURDE. WEITERHIN UND OHNE BESCHRÄNKUNG DES LETZTEN SATZES, DÜRFEN IN ALLEN FÄLLEN DIE IHNEN ZUR VERFÜGUNG STEHENDEN ABHILFEN DIE VON IHNEN FÜR DIE SOFTWARE AN DEN LIZENZGEBER GEZAHLTE SUMME NICHT ÜBERSCHREITEN.
13. DER LIZENZGEBER HAT IN KEINEM FALLE EINE HAFTUNG IHNEN GEGENÜBER FÜR SCHÄDEN, EINSCHLIESSLICH ETWAIGER GEWINNVERLUSTE, NICHT REALISierter EINSPARUNGEN ODER ANDERER NEBEN- ODER FOLGESCHÄDEN, DIE AUS IHRER VERWENDUNG, MISSBRAUCH, VERLETZUNG DIESES ABKOMMENS ODER GEBRAUCHSUNFÄHIGKEIT DER SOFTWARE ENTSTEHEN.

Allgemein

14. Die Rechtsgültigkeit und Provisionen dieses Abkommens und der darin enthaltenen Rechte und Pflichten werden durch die Gesetze des Staates von New York bestimmt. Sollten sie diese Vereinbarungen annehmen, dann akzeptieren Sie, dass der ausschliessliche Erfüllungsort und Gerichtsstand bei den Gerichten von New York im Staat New York liegen hinsichtlich aller Streitigkeiten, die diesen Vertrag betreffen, oder die durch Leistung oder Missbrauch der besagten Software entstehen.
15. Merit kann nach eigenem Ermessen dieses Abkommen oder jedes der darin enthaltenen Rechte und Pflichten an Dritte abtreten.
16. Bei Rückfragen über dieses Abkommen oder wenn Sie den Lizenzgeber aus einem anderen Grund kontaktieren wollen, bitte schreiben an: Merit Industries, Inc., 2525 State Road, Bensalem, PA 19020, USA.







Please read the enclosed license agreement. Operation of this game constitutes acceptance of the Merit Software License Agreement.

Veillez lire le contrat de licence d'utilisation ci-inclus. Si vous utilisez ce jeu, vous vous engagez à respecter les termes et conditions du contrat de licence d'utilisation du logiciel de Merit.

Bitte beiliegendes Lizenzabkommen durchlesen. Das Merit Software Lizenzabkommen tritt in Kraft, sobald dieses Spiel verwendet wird.