

### Megatouch EVO Wallette Mega-Bracket Installation

CONTENTS:

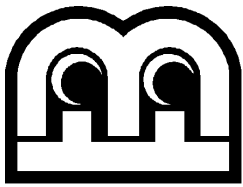
QTY	PART #	DESCRIPTION
1	SA0523-01	MEGA-BRACKET BASE
1	SA0572-01	LEFT EXTENSION ARM ASSEMBLY
1	SA0572-02	RIGHT EXTENSION ARM ASSEMBLY
1	MP0083-01	LEFT COVER
1	MP0083-02	RIGHT COVER
1	HW9887-06	.22 ALLEN WRENCH
4	HW4553-04	¼ - 20 x 1" SOCKET-HEAD CAP SCREWS
4	HW5306-02	INTERNAL-TOOTH LOCK WASHER
12	HW4362-02	6 x 32 ¼" ONE-WAY SCREWS
1	HW9889-01	DRILL BIT
1	HW2031-01	RUBBER GROMMET

**NOTE: THIS INSTALLATION SHOULD ONLY BE PERFORMED BY A QUALIFIED SERVICE TECHNICIAN.**

To mount the Wallette on a flat surface using the Mega-Bracket, follow the instructions below.

**NOTE: Keep in mind that the bracket (4" H x 8" D) can accommodate a booth between 25" and 37" wide and there must be a straight edge on either side of the mounting surface. The booth should be able to support the weight of the game and bracket and the tabletop must be between 1 1/8 and 2" thick to enable the adjustable clamps to grasp the edges. To ensure proper support, the game should be placed against the wall of the booth.**

1. Turn off and unplug the game.
2. Insert the extension arms into each end of the base and push the arms in until the adjustable clamps are against each edge of the tabletop. See Figure 1.
3. Using the supplied Allen wrench, tighten both adjustable clamps so they are securely gripping the tabletop. See Figure 1.
4. Slide the supplied covers over each arm as shown in Figure 1. The cover furthest from the base (the outside cover) will slide under the inside cover. The outside cover will have to be cut to fit (see Figure 1). Allowing approximately one inch of the cover to overlap, cut any excess of the cover with a saw.
5. Using the supplied drill bit, and the hole in the inside cover as a guide, drill a hole through the outside cover so that the holes in the overlapping covers line up. Repeat for the other side of the same cover (see Figure 1). Then, fasten the covers using the 4 supplied one-way screws as shown in Figure 1. The screws used in the drilled holes will only go through the covers, while the other screws will go through the covers and the metalwork. Repeat this step for the covers on the other side.
6. Unlock and open the cash door.
7. The game can either be mounted with the upright supports located on the inside or outside the cash door. If the back of the unit is against a wall, the supports should be on the outside so that the power cord can be routed through the back of the cash door or through the openings at the bottom of the base. If the back of the unit is not against a wall, the supports can be located inside the cash door. If you are routing the power cord through the hole in the cash door, you must install the grommet in the hole. To install, route the power cord through the grommet and then secure the grommet in the hole in the plate (see Figure 2 for location).
8. Fasten the game to the two upright supports by lining up the holes on the supports with those on the back plate on the back of the game (see Figures 1 and 2). You may use any of the holes in order to set the game to the desired height as long as the game is fastened with two of the supplied 1/4-20 x 1" socket-head cap screws and lock washers on each side.
9. Close and lock the cash door.



# Megatouch EVO Wallette Mega-Bracket Installation Instructions

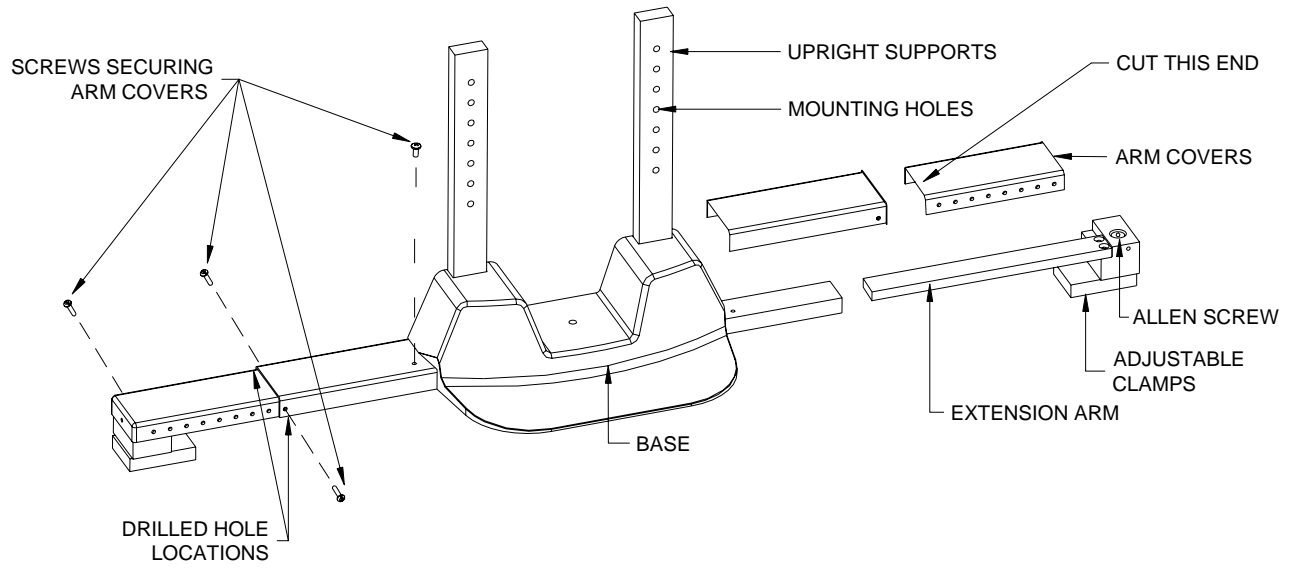


FIGURE 1 - MEGA-BRACKET ASSEMBLY

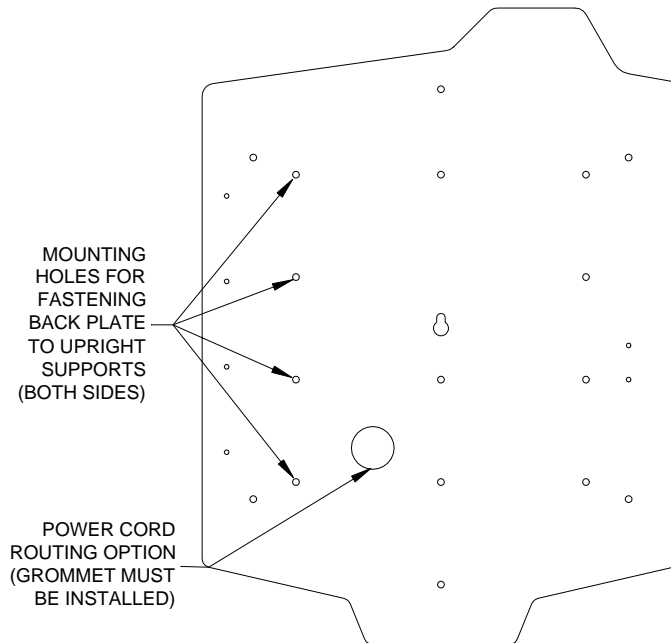


FIGURE 2 - EVO WALLETTTE BACK PLATE - FRONT VIEW