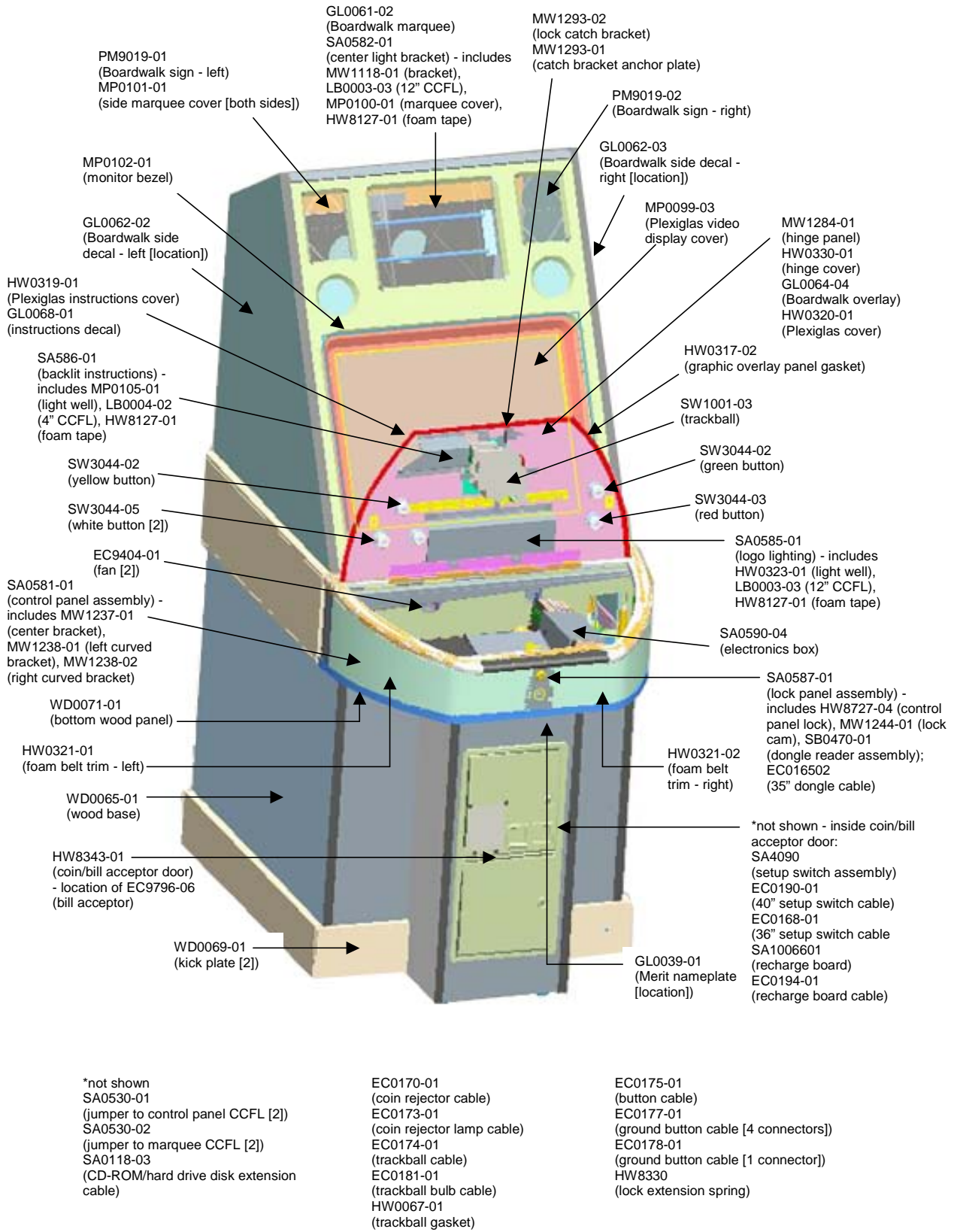
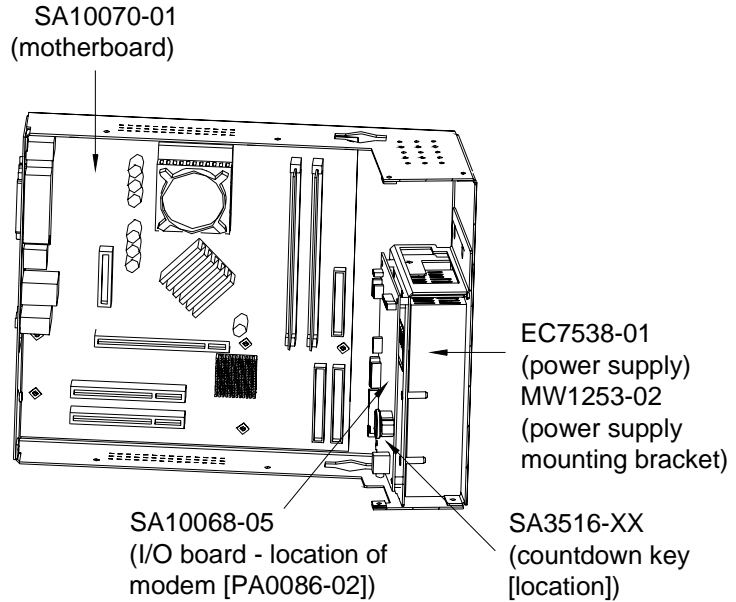


FRONT VIEW OF BOARDWALK



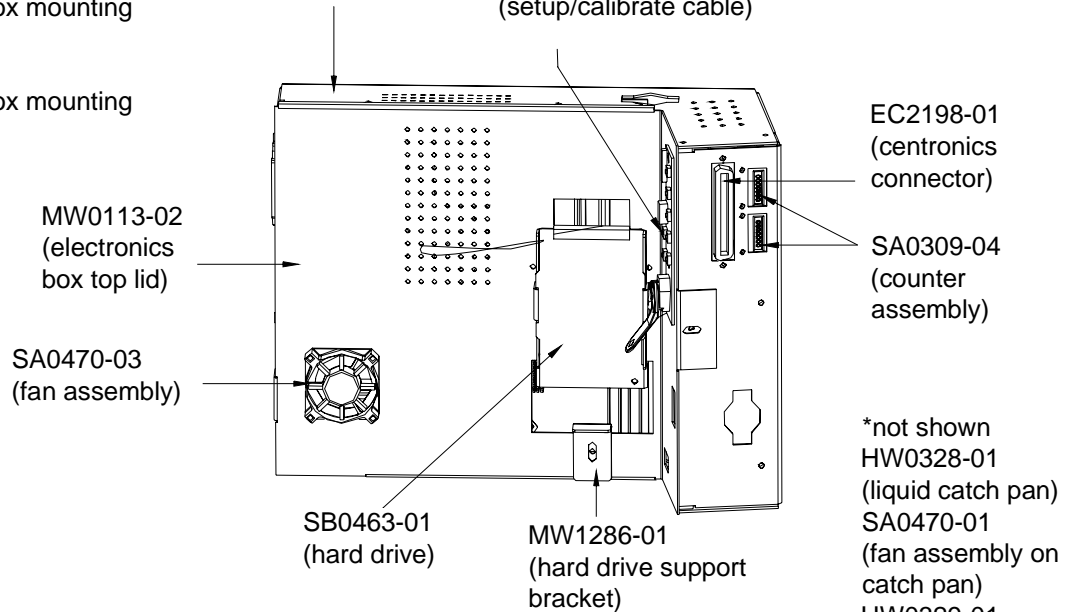
BOARDWALK ELECTRONICS BOX

- *not shown
- EC0053-04 (6" ribbon cable)
- EC0057-01 (14" stereo cable)
- EC0110-01 (59" dual speaker harness)
- EC0134-01 (12" modem audio cable)
- EC0150-02 (12" USB I/O cable)
- EC0151-01 (power supply/DC jumper cable)
- EC0153-02 (22.5" modem board cable)
- EC0154-01 (watchdog timer cable)
- EC0155-03 (80" modem cable)
- EC0156-04 (60" 10-pin connector cable)
- EC0157-01 (IDE adapter cable)
- EC0164-01 (AC harness)
- EC0171-01 (AC inlet harness)
- EC0183-01 (15" fan cable)
- MW1279-01 (electronics box mounting bracket [90°])
- MW1279-02 (electronics box mounting bracket [80°])



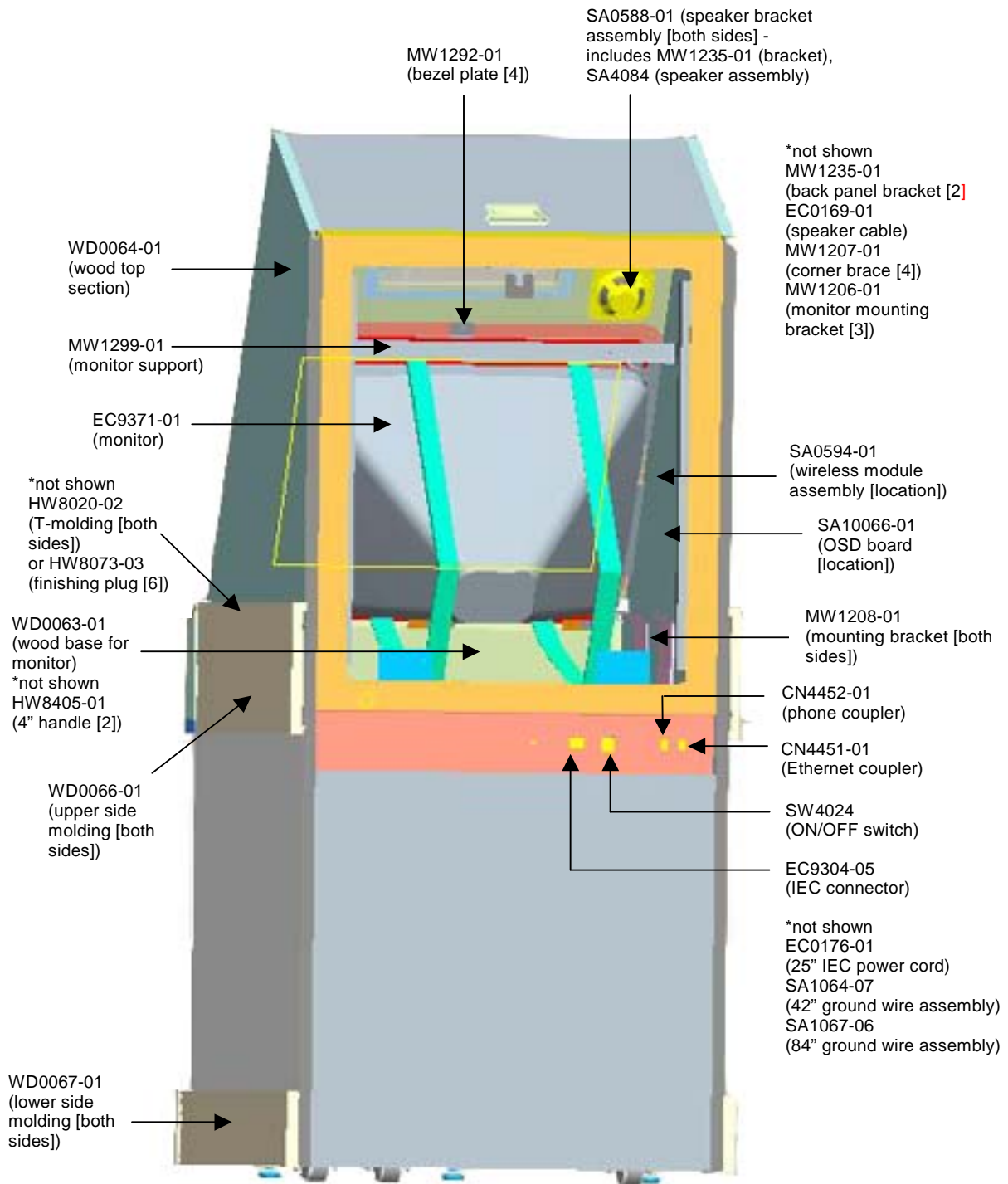
DETAIL VIEW OF ELECTRONICS BOX WITH COVER REMOVED

- SA10066-01 (control board - main software key [SA3517-XX], setup & calibrate [trackball test] button location);
- EC0189-01 (setup/calibrate cable)
- MW1256-02 (electronics box bottom lid)



DETAIL VIEW OF ELECTRONICS BOX WITH COVER ON

REAR VIEW OF BOARDWALK



BOARDWALK PARTS LIST

Item	Description
CN0009-01	FEMALE CONNECTOR PIN, 20-24 AWG
CN0037-01	SINGLE ROW, 1x2 PIN MICRO-FIT RECEPTACLE
CN0039-01	FEMALE FOLDED BEAM PIN
CN0040-01	2-PIN FEMALE SHROUDED HEADER RECEPTACLE
CN1000	MALE PIN, .062
CN1001	MALE PIN, .062, 24-30 AWG
CN1100	FEMALE PIN, .062
CN2000	PANEL MOUNT 2-POSITION CONNECTOR PLUG FOR .062 PIN
CN2001-02	4-PIN FEMALE PLUG FOR DISK DRIVE
CN2001-03	4-PIN MALE PLUG FOR DISK DRIVE
CN2150	2-POSITION FEMALE RECEPTACLE, .062
CN3001-02	FEMALE PIN FOR DISK DRIVE
CN3001-03	MALE PIN FOR DISK DRIVE, .084 DIAMETER
CN4451-01	8-POSITION RJ-45 COUPLER, RIGHT ANGLE, PANEL MOUNTING
CN4452-01	8-POSITION RJ-11 COUPLER, RIGHT ANGLE, PANEL MOUNTING
CT0079-01	BOARDWALK SHIPPING CARTON
CT4002-01	4"W x 6"L x .004" THICK ANTI-STATIC BAG
EC0053-04	8"L, 40-PIN/80 CONDUCTOR RIBBON CABLE
EC0057-01	14" RIGHT ANGLE 3.5MM MALE TO RIGHT ANGLE 3.5MM MALE STEREO CABLE
EC0102-01	SETUP AND CALIBRATE CABLE
EC0134-01	12" MODEM AUDIO CABLE
EC0139-01	ECS MOTHERBOARD
EC0141-01	AMD GEODE 1.2GHZ PROCESSOR
EC0142-01	56K MODEM
EC0145-01	2.5" 40GB HARD DRIVE
EC0146-02	256MB, SDRAM DIMM
EC0148-01	USB WIRELESS LAN MODULE
EC0149-02	72"L DUAL USER INTERFACE USB CABLE
EC0150-01	7" USB I/O CABLE
EC0151-01	ATX EXTENSION & DC JUMPER ASSEMBLY
EC0153-02	22.5" MODEM BOARD CABLE
EC0154-01	WATCHDOG TIMER CABLE
EC0155-03	80"L MODEM CABLE, RJ11 TO 2 PIN FEMALE IDC
EC0157-01	2.5" IDE ADAPTER CABLE
EC0160-01	S VIDEO CABLE
EC0165-02	35" PLAYER ID CABLE
EC0165-03	33.5"L PLAYER ID CABLE
EC0168-01	36"L SETUP SWITCH CABLE
EC0169-01	SPEAKER CABLE
EC0170-01	COIN REJECTOR CABLE
EC0171-01	AC INPUT HARNESS
EC0173-01	COIN REJECTOR LAMP CABLE
EC0174-01	TRACKBALL CABLE
EC0175-01	BUTTON CABLE
EC0176-01	25"L, 3-PIN CONNECTOR TO IEC POWER CORD
EC0177-01	#1 GROUND BUTTON CABLE
EC0178-01	#2 GROUND BUTTON CABLE
EC0181-01	TRACKBALL BULB CABLE
EC0183-01	15" FAN CABLE
EC0189-01	GOLDEN TEE TO BOARDWALK SETUP AND CALIBRATE CABLE
EC0190-01	40"L 2-PIN PLUG TO 2-PIN RECEPTACLE CABLE

BOARDWALK PARTS LIST (CONT.)

EC0194-01	OSD BOARD JUMPER ASSEMBLY CABLE
EC2198-01	12'L CENTRONICS CABLE
EC8913-04	.300 TO .390" CABLE DIAM., BROAD BAND, SNAP-ON FERRITE CORE
EC8919-01	.25" DIAM. CABLE OPENING, BROAD BAND, BOX SNAP-ON FERRITE CORE
EC7538-02	ENHANCE 200 WATT SWITCHING POWER SUPPLY
EC9154	12 VOLT FROG EYE MOUNTING COUNTER
EC9238	10 RING LUG, 16 TO 22 AWG, INSULATED
EC9250	4"DIAM. 8-OHM SPEAKER
EC9304-05	3 AMP IEC 320 LINE FILTER WITH .250 FAST-ON CONNECTORS
EC9371-01	29" VGA MONITOR
EC9401-10	11.2 CUBIC FEET PER MINUTE CPU FAN, 50 MILLIMETER
EC9401-11	11.2 CUBIC FEET PER MINUTE CPU FAN, 50 MILLIMETER
EC9404-01	25 CUBIC FEET PER MINUTE CPU FAN, 60 MILLIMETER
EC9405-01	15.5 CUBIC FEET PER MINUTE CPU FAN, 50 MILLIMETER
EC9796-06	\$1, \$2 & \$5 BILL ACCEPTOR FOR THE USA WITH 700 NOTE STACKER
GL0039-01	MERIT INDUSTRIES, INC. NAMEPLATE
GL0061-02	BOARDWALK MARQUEE
GL0062-02	LEFT SIDE BOARDWALK DECAL
GL0062-03	RIGHT SIDE BOARDWALK DECAL
GL0064-04	CONTROL PANEL GRAPHIC OVERLAY
GL0068-01	US/UK INSTRUCTION DECAL
HW0131-01	CPU FAN CLIP
HW0317-01	GP PANEL GASKET, CURVED
HW0317-02	CONTROL PANEL GASKET, STRAIGHT
HW0319-01	INSTRUCTION COVER PLEXI
HW0320-01	LOGO COVER PLEXI
HW0321-01	CURVED FOAM BELT TRIM, LEFT SIDE
HW0321-02	CURVED FOAM BELT TRIM, RIGHT SIDE
HW0322-01	PALM GUARD
HW0323-01	LIGHT WELL FOR MERIT LOGO
HW0328-01	LIQUID CATCH PAN
HW0329-01	DRAIN FOR LIQUID CATCH PAN
HW0330-01	CONTROL PANEL HINGE COVER
HW0901-01	7"L x 1-1/4"W x .017"THICK FORMEX PLATE
HW1110	10-24 x 1-1/4"L CARRIAGE BOLT, BLACK
HW3070-03	4-40 HEXNUT
HW3149	6-32 HEXNUT
HW3150	6-32 KEPNUT
HW3150	6-32 KEPNUT
HW3151	6-32 TMBNUT,NYL
HW3151	6-32 NYLON THUMBNUT
HW3151-02	4-40 NYLON THUMBNUT
HW3162	6-32 HEXNUT, NYLON INSERT
HW3201	8-32 KEPNUT
HW3250	10-24 HEXNUT
HW3252	10-24 KEPNUT
HW3255	10-32 KEPNUT
HW3255-02	10-32 HEXNUT
HW3350	5/16-18 HEXNUT
HW4052	4-40 x 1/4"L PAN HEAD PHILLIPS MACHINE SCREW
HW4052-03	4-40 x 1/2"L PAN HEAD PHILLIPS MACHINE SCREW
HW4101	4-40 x 3/8"L PAN HEAD PHILLIPS MACHINE SCREW

BOARDWALK PARTS LIST (CONT.)

HW4105-01	SEMS 4-40 x 3/16"L PAN HEAD PHILLIPS MACHINE SCREW
HW4110-01	3/8-16 x 3/4"L ROUND HEAD PHILLIPS MACHINE SCREW
HW4161-02	NO. 4 x 3/8"L PAN HEAD PHILLIPS SHEET METAL SCREW, BLACK
HW4206	6-32 x 1/4"L PAN HEAD PHILLIPS MACHINE SCREW
HW4371-06	NO. 6 x 1/2"L PAN HEAD PHILLIPS SHEET METAL SCREW
HW4373	6-32 x 2"L PAN HEAD PHILLIPS MACHINE SCREW
HW4402-02	NO. 8 x 1"L PAN HEAD PHILLIPS SHEET METAL SCREW, BLACK
HW4446-04	NO. 6 x 1-1/2"L FLAT HEAD PHILLIPS WOOD SCREW
HW4454-01	NO. 10 x 1/2"L ROUND HEAD SLOTTED WOOD SCREW
HW4455-01	NO. 10 x 1-1/2"L PAN HEAD PHILLIPS WOOD SCREW
HW4455-02	NO. 10 x 1"L PAN HEAD PHILLIPS WOOD SCREW
HW4456-01	NO. 10 x 1-1/4"L FLAT HEAD PHILLIPS WOOD SCREW
HW4487	NO. 10 x 5/8"L PAN HEAD PHILLIPS SHEET METAL SCREW
HW4491	10-24 x 1-1/4"L FLAT HEAD PHILLIPS MACHINE SCREW
HW4491-02	10-24 x 3"L FLAT HEAD PHILLIPS MACHINE SCREW
HW4496	10-32 x 3/4"L PAN HEAD PHILLIPS MACHINE SCREW
HW4496-07	10-32 x 1-1/2"L PAN HEAD PHILLIPS MACHINE SCREW
HW4496-10	10-32 x 2-1/2"L PAN HEAD PHILLIPS MACHINE SCREW
HW4501	6-32 x 1/4"L KNURLED HEAD THUMB MACHINE SCREW WITH WASHER FACE
HW4506-03	1/4-20 x 1-1/2"L TRUSS HEAD PHILLIPS MACHINE SCREW
HW4506-04	1/4-20 x 1"L TRUSS HEAD PHILLIPS MACHINE SCREW
HW4559-02	1/4-20 x 1"L PAN HEAD PHILLIPS MACHINE SCREW
HW4559-03	1/4-20 x 1/2"L PAN HEAD PHILLIPS MACHINE SCREW
HW4565-02	5/16-18 x 4"L PAN HEAD PHILLIPS MACHINE SCREW
HW5077-01	7/16 FLAT WASHER, 15/32"INSIDE DIAM. x 5/8"OUTSIDE DIAM. x 3/64"THICK
HW5101-01	1/4" FLAT WASHER, LIGHT, 9/32"INSIDE DIAM. x 5/8"OUTSIDE DIAM. x 1/16"THICK
HW5150	NO. 6 FLAT WASHER
HW5252-03	11/64"ID x 3/4"OD x 3/64"T, NO. 8 FENDER WASHER
HW5554-03	1/4" FENDER WASHER, 1-1/2"OUTSIDE DIAM. x 3/64"THICK
HW5993-01	#4-40 MALE TO FEMALE 1/4" HEX STANDOFF, 5/16"L
HW6003	NYLON SPACER, 3/16"L x 11/64"INSIDE DIAM. x 1/4"OUTSIDE DIAM.
HW6062-03	ROUND SPACER, 13/32"L x 3/4"INSIDE DIAM. x 7/8"OUTSIDE DIAM.
HW7935-01	1/2"OUTSIDE DIAM. ROUND TUBE PLUG
HW8067	DOUBLE-SIDED FOAM TAPE, BLACK, 1/2"WIDE x 1/32"THICK
HW8073-03	3/8"INSIDE DIAM. FINISHING PLUG, BLACK
HW8073-04	7/16"INSIDE DIAM. FINISHING PLUG, BLACK
HW8086	NEOPRENE TAPE, 1/2"W x .06"THICK
HW8087	NEOPRENE TAPE, 3/8"W x 3/16"THICK
HW8117-04	LOCTITE 222MS THREADLOCKER ADHESIVE
HW8127-01	1"W x .045"THICK POLYPROPYLENE FOAM TAPE
HW8330	EXTENSION SPRING, 1/4"OUTSIDE DIAM. x 1-1/2"L
HW8343-01	DUAL \$.25 COIN DOOR, BILL ACCEPTOR-READY
HW8405-01	PULL HANDLE
HW8727-04	KEYED DIFFERENT CAM LOCK, 1-3/8"L BARREL, WITHOUT CAM, CAPTIVE KEY
HW8810	TIE WRAP, REEL, .68" BUNDLE
HW8811	TIE WRAP, LOOSE, 11/16" BUNDLE
HW8820	TIE WRAP, 1-1/4" BUNDLE, #8 SCREW
HW8880-02	HINGED TWIST-LOK STANDOFF FOR .750-.850 BUNDLE
HW8889-01	SPLIT C-TYPE FLAT/RIBBON CABLE CLAMP
HW9252-03	1 x 3' VELCRO HOOK AND LOOP
HW9420	VINYL SHEET HOLDER, 9 x 11"
HW9422	CLEAR BAG, 4 x 6 x 3 MILLIMETER

BOARDWALK PARTS LIST (CONT.)

HW9462-01	NEOPRENE WASHER, 5/8"OUTSIDE DIAM. x 3/16"INSIDE DIAM. x 3/32"THICK
LB0003-03	WHITE COLD CATHODE FLUORESCENT LAMP, 12"L
LB0004-02	WHITE COLD CATHODE FLUORESCENT LAMP, 4"L
MP0099-03	VIDEO DISPLAY COVER
MP0100-01	CENTER MARQUEE COVER
MP0101-01	SIDE MARQUEE COVER
MP0102-01	BEZEL
MP0105-01	LIGHT WELL FOR INSTRUCTIONS
MW1035	TEST SWITCH BRACKET, SINGLE
MW1079-02	HARD DRIVE BRACKET
MW1113-02	ELECTRONICS BOX LID
MW1118-01	CENTER MARQUEE LIGHT BRACKET
MW1206-01	CRT MOUNTING BRACKET
MW1207-01	CORNER BRACE
MW1208-01	MODULE MOUNTING BRACKET
MW1209-01	LOCK PANEL
MW1235-01	SPEAKER BRACKET
MW1236-01	PWR ENT BRKT,U5a
MW1237-01	CENTER BRACKET
MW1238-01	CURVED BRACKET, LEFT
MW1238-02	CURVED BRACKET, RIGHT
MW1239-01	REAR PANEL
MW1244-01	LOCK CAM
MW1253-02	I/O BOARD/POWER SUPPLY MOUNTING BRACKET
MW1256-02	ELECTRONICS BOX ENCLOSURE
MW1272-01	LOCK BAR MOUNTING PLATE
MW1276-01	GRAPHIC OVERLAY LOCK BRACKET
MW1277-01	BOTTOM PANEL SCREW BRACKET
MW1278-02	PS/2 BRACKET
MW1279-01	90° ELECTRONICS BOX MOUNTING BRACKET
MW1279-02	80° ELECTRONICS BOX MOUNTING BRACKET
MW1282-01	SETUP/CALIBRATE/WIRELESS USB PEN BRACKET
MW1284-01	GRAPHIC OVERLAY HINGE PANEL
MW1286-01	HARD DRIVE CABLE KEEPER BRACKET
MW1289-01	GOLDEN TEE TO BOARDWALK CREDIT CARD COVER
MW1292-01	BEZEL PLATE
MW1293-01	ANCHOR PLATE
MW1293-02	LOCK CATCH BRACKET
MW1299-01	CRT SUPPORT
PA0086-02	CONFIGURED ION MODEM
PA3027-01	HARD DRIVE
PM0591-01	BOARDWALK OWNER'S MANUAL
PM5946-01	"HANDLE WITH CARE" STICKER LABEL
PM6071-01	"ASSEMBLED IN USA" LABEL
PM9019-01	BOARDWALK SIGN, LEFT SIDE MARQUEE
PM9019-02	BOARDWALK SIGN, RIGHT SIDE MARQUEE
PM9980	BRADY LABEL, WHITE
PM9984-01	1 x 1/2" "PERMANENT" E-PROMIC LABEL
PM9990	1 x 1/2" "TAMPER PROOF" E-PROMIC LABEL
SA0118-03	POWER EXTENSION CABLE FOR CD-ROM AND HARD DISK DRIVE
SA0309-04	COUNTER ASSEMBLY
SA0470-03	50 MILLIMETER FAN ASSEMBLY WITH 4"L TERMINATED LEADS

BOARDWALK PARTS LIST (CONT.)

SA0530-01	12VDC JUMPER
SA0530-02	12VDC JUMPER TO POWER UPPER CCFL
SA0578-01	VIDEO MODULE
SA0579-01	BASE MODULE
SA0580-01	CRT MODULE
SA0581-01	USER MODULE
SA0582-01	CENTER LIGHT BRACKET
SA0583-01	POWER ENTRY MODULE
SA0584-01	GRAPHIC OVERLAY
SA0585-01	BOARDWALK LOGO
SA0586-01	BACKLIT INSTRUCTIONS
SA0587-01	LOCK PANEL
SA0588-01	SPEAKER BRACKET ASSEMBLY
SA0589-01	REAR PANEL ASSEMBLY
SA0590-04	ELECTRONICS BOX
SA0593-01	SCREW ASSEMBLY
SA0594-01	USB WIRELESS ASSEMBLY
SA0596-03	DONGLE READER ASSEMBLY
SA10068-01	OSD SMART PANEL
SA10068-05	I/O BOARD
SA10070-03	256MB ION MOTHERBOARD
SA1064-07	42"L GROUND WIRE ASSEMBLY
SA1067-06	84"L GROUND WIRE ASSEMBLY
SA3509-01	MEGATOUCH NATIONTON 2006 KEY FOR OPERATORS
SA3516-01	COUNTDOWN/RECHARGE KEY
SA3517-01	BOARDWALK KEY
SA4084	2-PIN CONNECTION, 4" SPEAKER ASSEMBLY
SA4089	PUSH BUTTON SWITCH AND 2-POSITION CONNECTOR ASSEMBLY
SA4090	TEST SWITCH ASSEMBLY, SINGLE
SB0463-01	HARD DRIVE ASSEMBLY
SB0466-02	CABINET ASSEMBLY
SB0470-01	DONGLE READER
SC3982-06	82 FAMILY SET (SECURE MEMORY), 1152 BIT, ELECTRONIC BUTTON KEY
SC3982-07	ELECTRONIC BUTTON DALLAS KEY
SK0002-01	PRESS-IN DALLAS KEY MOUNT, ANGLED
SK0002-02	SNAP-IN DALLAS KEY MOUNT FOR KEY RING
SW1001-03	3" DIAM. TRACKBALL WITH PARALLEL INTERFACE, TRANSLUCENT BLUE
SW3005	2A PANEL MOUNT PUSH-BUTTON SWITCH
SW3044-02	GREEN PUSH-BUTTON ASSEMBLY
SW3044-03	RED PUSH-BUTTON ASSEMBLY
SW3044-04	YELLOW PUSH-BUTTON ASSEMBLY
SW3044-05	WHITE PUSH-BUTTON ASSEMBLY
SW4024	250 AC PANEL MOUNTING ROCKER SWITCH, DOUBLE POLE/SINGLE THROW
WD0063-01	WOOD CRT MODULE
WD0064-01	WOOD VIDEO MODULE
WD0065-01	WOOD BASE MODULE
WD0066-01	UPPER SIDE MOLDING
WD0067-01	LOWER SIDE MOLDING
WD0069-01	KICK PLATE
WD0071-01	BOTTOM WOOD PANEL
WR18GN/YL	GREEN/YELLOW 18 AWG, STRANDED WIRE, PVC INSULATED
WR22BK	BLACK 22 AWG, STRANDED WIRE WITH PVC INSULATION

BOARDWALK PARTS LIST (CONT.)

WR22RD	RED 22 AWG, STRANDED WIRE WITH PVC INSULATION
WR22WT	WHITE 22 AWG, STRANDED WIRE WITH PVC INSULATION
WR22YL	YELLOW 22 AWG, STRANDED WIRE WITH PVC INSULATION